



# User Manual DC-7600 Card Printer



### Important Safety Instructions (English)

Read the following instructions thoroughly before starting up your printer.

- The device and power supply must all times be easily accessible.
  - Never carry out maintenance or repair work yourself. Always contact a Dascom qualified service technician.
  - Keep this user guide in a place which is easily accessible at all times.
  - Place the printer on a solid and level base for reliable operation.
  - Never place the printer in the vicinity of inflammable gas or explosive substances.
  - Ensure the printer is connected to a socket with the correct voltage.
  - Always disconnect the printer from power source before opening the device to perform maintenance work or remedy errors.
  - Do not expose the printer to high temperature, direct sunlight, or dust.
  - Keep all liquids away from the printer.
  - Protect the printer from shock, impact and vibration.
  - Make sure that both printer and computer are switched off before connecting the data cable.
  - The print head will become very hot during printing; avoid contact with the print head after printing has finished.
  - Do not perform any operation or action in any way other than those provided in this manual.
- When in doubt, contact your Dascom dealer or customer support.

### Wichtige Sicherheitshinweise (German)

Lesen Sie bitte diese Sicherheitshinweise durch, bevor Sie den Drucker in Betrieb nehmen.

- Das Gerät und die Netzsteckdose müssen jeder Zeit leicht zugänglich sein.
- Führen Sie Wartungsarbeiten und Reparaturen keinesfalls selbst aus, sondern verständigen Sie immer einen qualifizierten Servicetechniker.
- Bewahren Sie diese Dokumentation an einem jederzeit zugänglichen Ort auf.
- Den Drucker auf stabilem und ebenem Untergrund so aufstellen, dass er nicht zu Boden fallen kann.
- Stellen Sie den Drucker keinesfalls in der Nähe von leicht entzündlichen Gasen oder explosiven Stoffen auf.
- Den Drucker nur an eine Steckdose mit der richtigen Spannung anschließen.
- Wenn Sie den Drucker vom Netz trennen wollen, den Drucker ausschalten und immer den Netzstecker an der Steckdose ziehen.
- Den Drucker weder hohen Temperaturen noch direktem Sonnenlicht und Staub aussetzen.
- Keine Flüssigkeiten mit dem Drucker in Berührung bringen.
- Den Drucker keinen Erschütterungen, Stößen oder Vibrationen aussetzen.
- Sicherstellen, dass der Drucker und der Computer ausgeschaltet sind, bevor das Datenkabel angeschlossen wird.
- Der Druckkopf wird während des Druckens heiß. Vor dem Berühren deshalb einige Zeit abkühlen lassen.
- Weichen Sie bei der Bedienung des Druckers nicht von den Anweisungen in der Dokumentation ab. Bei Unklarheiten wenden Sie sich bitte an Ihren Händler oder Ihren Kundendienst.

### Consignes importantes de sécurité (French)

Lire attentivement les instructions suivantes avant de mettre l'imprimante en service.

- Le dispositif et la prise principale doivent toujours être accessibles facilement.
- Ne jamais effectuer soi-même les travaux d'entretien et de réparations. Contacter toujours un dépanneur qualifié.
- Placer l'imprimante sur un support stable de façon à ce qu'elle ne puisse pas tomber.
- Ne jamais placer l'imprimante à proximité de sources de gaz aisément inflammables ou de substances explosives.
- Ne connecter l'imprimante à une prise que lorsque la tension est correcte.
- Pour déconnecter l'imprimante de l'alimentation principale, mettre l'imprimante hors tension et toujours débrancher le connecteur secteur de la prise murale.
- Ne pas exposer l'imprimante à des températures élevées, à la lumière directe du soleil ou à la poussière.
- Ne pas mettre l'imprimante en contact avec des liquides.
- Ne pas exposer l'imprimante à des chocs, impacts ou vibrations.
- S'assurer que l'imprimante et l'ordinateur sont hors tension avant de connecter le câble de données.
- La tête d'impression est brûlante pendant l'impression. C'est pourquoi laissez-la refroidir quelques instants avant d'y toucher.
- N'exécutez aucune opération ni action d'une autre manière que celle indiquée dans ce manuel. En cas de doute, veuillez contacter votre distributeur ou service après-vente.

### Indicazioni di sicurezza importanti (Italian)

Prima di mettere in funzione la stampante, leggere attentamente le seguenti indicazioni.

- Il dispositivo e la presa di corrente devono essere sempre facilmente accessibili.
- Non eseguire mai da sé gli interventi di manutenzione e riparazione, ma rivolgersi sempre a un tecnico di assistenza qualificato.
- Conservare le presenti istruzioni per l'uso in un luogo sempre accessibile.
- Collocare la stampante su una superficie stabile, per evitare che cada a terra.
- Non collocare la stampante in prossimità di gas facilmente infiammabili o di sostanze esplosive.
- Collegare la stampante a una presa di corrente con tensione adeguata.
- Per scollegare la stampante dalla rete di alimentazione, spegnere la stampante e disinserire sempre il connettore di rete dallapresa.
- Non esporre la stampante ad elevate temperature né alla luce solare diretta e alla polvere.
- Evitare il contatto della stampante con liquidi.
- Non esporre la stampante a colpi, scosse o vibrazioni.
- Verificare che la stampante e il computer siano spenti prima di collegare il cavo di trasmissione dati.
- Durante la stampa, la testina si surriscalda notevolmente. Prima di toccarla, se necessario opportuno quindi lasciarla raffreddare qualche istante.
- Non eseguire alcuna operazione o azione se non nella maniera descritta nel presente manuale. In caso di dubbio, contattare il rivenditore o dalla società incaricata dell'assistenza.

## **Instrucciones de seguridad importantes (Spanish)**

Lea las siguientes instrucciones con esmero antes de poner la impresora en servicio.

- El dispositivo y la toma de corriente deben estar ubicados de forma que sea fácil acceder a ellos.
- Nunca lleve a cabo trabajos de mantenimiento o reparación Ud. mismo, sino consulte a un técnico de servicio calificado.
- Guarde las presentes instrucciones de servicio en un lugar de fácil acceso en cualquier momento.
- Ponga la impresora sobre un superficie estable de manera que no pueda caer al suelo.
- Nunca coloque la impresora en la vecindad de gases inflamables o sustancias explosivas.
- Asegure conectar la impresora sólo a un enchufe con un voltaje correcto.
- Cuando quiera desconectar la impresora de la red, apague la impresora y siempre hale de la clavija de alimentación del enchufe nunca del cable.
- No exponga la impresora a temperaturas altas, a la luz solar directa y al polvo.
- No ponga la impresora en contacto con fluidos.
- Nunca exponga la impresora a sacudidas, choques o vibraciones.
- Asegúrese de que la impresora y el ordenador estén apagados antes de conectar el cable de datos.
- La cabeza de impresión se pone muy caliente durante la impresión. Por lo tanto, Déjela enfriarse algún tiempo antes de tocarla.
- No permita que se realice cualquier operación o acción de una forma diferente a lo que se señala en el manual. En caso de duda, póngase en contacto con su comerciante o con su servicio post-venta.

### Правила по технике безопасности. (Russian)

Прочитайте, пожалуйста, инструкцию по технике безопасности перед включением в работу принтера.

- Устройство и розетка должны быть всегда легко доступна.
- Не выполняйте технические работы и ремонт техники самостоятельно, но сообщайте о неисправностях квалифицированным сервисным техникам.
- Данная инструкция должна быть всегда доступна каждому пользователю.
- Установите принтер на ровном и стабильном месте так, чтобы он не смог упасть на пол.
- Ни в коем случае не ставьте принтер вблизи легко воспламеняющихся газов и взрывчатых веществ.
- Включайте принтер в розетку только с соответствующим напряжением.
- Если Вы хотите отключить принтер от напряжения, сначала выключите принтер сам и затем выньте штекер из розетки.
- Берегите принтер от нагревания, от попадания на него прямых солнечных лучей и пыли.
- Не допускайте попадания жидкости на принтер.
- Нельзя подвергать принтер тряске, ударам и вибрации.
- Убедитесь, что принтер и компьютер выключены, только после этого соедините принтер с компьютером.
- Печатающая головка нагревается во время работы принтера. Поэтому подождите какое-то время, прежде чем дотронуться до нее.
- Пользуйтесь принтером так, как это написано в документации. Если у Вас возникают неясности, обращайтесь с вопросами к Вашим продавцам или в сервисный центр.

## **Instruções Importantes sobre Segurança (Portuguese)**

Leia as instruções de segurança antes de usar a impressora.

- A impressora e a tomada devem ser facilmente em todos os momentos acessíveis.
- Consulte sempre um técnico qualificado para executar uma reparação .
- Coloque a impressora sobre uma base sólida e nivelada, para que ela não sofra quedas.
- Jamais instale a impressora nas proximidades de lugares onde haja gás inflamável ou substâncias explosivas.
- Assegure-se de conectar a impressora à tomada elétrica com a voltagem apropriada.
- Quando desligar a impressora da rede, desligue sempre a impressora e retire o cabo da tomada.
- Não exponha a impressora a temperaturas altas ou luz solar direta.
- Não aproxime substâncias líquidas da impressora.
- Proteja a impressora de choques, impactos e vibrações.
- Desligue a impressora e o computador antes de conectar o cabo da rede.
- A cabeça da impressora pode ficar muito quente . Portanto, espere algum tempo antes de tocá-la.
- Não faça nenhuma operação ou ação além das recomendadas neste manual. Em caso de dúvida, contate seu revendedor ou companhia de serviço.



## Önemli Güvenlik Talimatları (Turkish)

Lütfen, yazıcıyı işleme geçirmeden önce bu güvenlik talimatlarını bütünüyle dikkatle okuyun.

- Cihaz ve elektrik prizinin her zaman kolayca erişilebilir olması gerekir.
- Bakım ve tamir çalışmalarını kesinlikle ve hiçbir surette kendi başınıza yapmayın; her zaman kalifiye bir uzman servis-teknisyenine haber verin.
- Yazıcıyı, üzerinden yere düşmesi mümkün olmayacak sabit ve düz bir zemine yerleştirin.
- Yazıcıyı kesinlikle ve hiçbir surette kolayca yanabilecek gaz veya patlayıcı maddeler içeren nesnelere yakınına koymayın.
- Yazıcı akım kablosunu sadece doğru gerilime sahip bir prize takın.
- Yazıcıyı şebeke ağından ayırmak istediğinizde, yazıcıyı kapatın ve ağ-fişini her zaman prizden çıkartın.
- Yazıcıyı ne yüksek ısı ne de doğrudan güneş ışığına ve toza mâruz kalan mekânlarda bulundurun.
- Yazıcı hiçbir sıvı maddeyle temasta olmamalıdır.
- Yazıcı hiçbir sarsıntıya, darbeye veya titreşime mâruz kalmamalıdır.
- Veri kablosu bağlanmadan önce hem yazıcının hem de bilgisayarın kapalı olduklarından emin olmalısınız.
- Yazıcının başı basma esnasında yüksek ısıya ulaşıyor. Bu yüzden lütfen dokunmadan önce kısa süre soğumasını bekleyin.
- Yazıcının işletimi ve kullanımında bu dokümantasyondaki talimatların hiç dışına çıkmayın. Sorunlu görünen hususlarda lütfen imâlatçınıza veya müşteri hizmetleri servisimize başvurun.

## TRADEMARK ACKNOWLEDGEMENTS

“IBM” is a trademark of International Business Machines Corporation.

“EPSON” is a trademark of Epson America Incorporated.

“DEC” is a trademark of Digital Equipment Corporation.

“Centronics” is a trademark of Centronics Data Computer Corporation. “DOS” is a trademark of Microsoft Corporation.

“SAP” is a trademark of SAP AG.

“Windows”, “Windows 7”, “Windows 8”, “Windows 95”, “Windows 98”, “Windows NT”, “Windows 2000”, “Windows 2003/2008/2012/2012R2 Server”, “Windows XP” and “Windows Vista” are trademarks of Microsoft Corporation.

All other product names and company names appearing in this manual are the registered trademarks or trademarks of their respective holders.

## About This Manual

This manual provides information to operators of DC-7600 to describe basic operation to enable safe and correct use of the printer.

## Symbol Description

The symbols in this manual are identified by their level of importance, as defined below. Read the following carefully before handling the product.



**CAUTION:** Provides information that must be observed to prevent damage to the equipment or loss of data.



**NOTE:** Advises you of information that is essential to complete a task.

## Related Software and Documents

Related Software and Documents

Software/document name	Description
DC-7600 User Manual	This manual.
DC-7600 Maintenance Manual	This manual provides qualified developer/ engineers / technicians with additional technical information.

# TABLE OF CONTENTS

CHAPTER 1 INTRODUCTION.....	3
1.1 Features .....	3
1.2 Printer specifications .....	4
1.3 Unpacking .....	5
1.4 Operating the Printer Safely .....	7
1.5 Printer Components.....	9
1.5.1 Front Side of the Printer .....	9
1.5.2 Card Holder .....	10
1.5.3 Rear Side of the Printer .....	11
1.5.4 Control Panel .....	12
1.6 Attaching PowerSection 1.6 through 1.8 should be part of Chapter 2 - Installation .....	13
1.7 Connecting to Computer .....	14
1.8 Installing Driver .....	15
1.8.1 Installing Driver via USB.....	15
Installing Driver via Ethernet? We should have a section on this.	
CHAPTER 2 INSTALLATION.....	17
2.1 Installing Cards .....	17
2.1.1 Card Specifications .....	17
2.1.2 Setting the Card Thickness .....	18
2.1.3 Loading Cards into the Card Cassette.....	19
2.1.4 Face Up/Down Stacking for CardOutput .....	20
2.1.5 Optimizing Print Quality.....	20
2.1.6 Managing Rejected Cards.....	20
2.2 Installing / Replacing Color Print Ribbon .....	21
2.3 Installing / Replacing Retransfer Film (INTM).....	24
2.4 Installing / Replacing Cleaning Roller .....	28
2.5 Installing Output Tray .....	31
2.6 Installing Reject Bin.....	32
CHAPTER 3 NORMAL MODE AND USER MODE .....	33
3.1 Normal Mode .....	33
3.2 User Mode.....	34
3.3 11 Major Menus .....	36
3.3.1 Sub-menus for Printer Info .....	36
3.3.2 Sub-menus for Print Head Info.....	36
3.3.3 Sub-menus for Version Info .....	37
3.3.4 Sub-menus for Printer Setup .....	37
3.3.5 Sub-menus for Card Setup.....	37
3.3.6 Sub-menus for Ribbon/Retransfer Film Setup.....	39
3.3.7 Sub-menus for Image Setup .....	40
3.3.8 Sub-menus for Interface Setup.....	40
3.3.9 Sub-menus for Cleaning.....	40
3.3.10 Sub-menus for Option .....	40
3.3.11 Sub-menus for Reset User Default.....	40

CHAPTER 4 CLEANING .....	41
4.1 Cleaning with a Cleaning Card .....	41
4.2 Cleaning the Cleaning Roller.....	41
4.3 Cleaning the Feeding Roller.....	41
4.4 Cleaning the Transport Roller .....	42
4.5 Cleaning the Filter .....	44
CHAPTER 5 TROUBLESHOOTING.....	45
5.1 Warning Messages and Troubleshooting.....	45
5.2 Valuable Help from You for Troubleshooting.....	46
5.3 Troubleshooting.....	47
5.3.1 Faults Related to Printing.....	47
5.3.2 Clearing a Jammed Card.....	49
5.3.3 Changing the Print head.....	50
Appendix I: FCC STATEMENT .....	51
Appendix II: DASCUM REPRESENTATIVES.....	52

---

---

# CHAPTER 1 INTRODUCTION

Dascom® DC-7600 model is the best value in a retransfer card printer. Using your new card printer, you will be able to create a wide variety of high-quality cards and badges which can be printed in various colors and styles. This printer uses consumables and accessories available from Dascom.

## 1.1 Features

- Easy Setup
- Easy Card Load
- Easy Operation
- Enhanced Security

DC-7600 printers offer these basic printer options:

- RFID reader & encoder
- IC (chip) reader & encoder

This user guide provides all the information you need to operate your printer on a daily basis.

## 1.2 Printer Specifications

Function	Double-sided printing (full color)
Print system	Indirect retransfer system
Print media	Material: PVC, PET, PET-G
Card Thickness	0.48 ~ 1.10mm / 19-mil to 43-mil
Card Size	ISO CR-80 – ISO7810 ( 53.98 x 85.60mm ) 3.38” x2.125”
Print quality	600dpi ( 23.6 dots/mm )
Print tones	Input tones: RGB, 256 tones/color, K2 tones Output tones: YMC 256 tones/color, K2 tones
Print area	53.98mm x 85.60mm / 3.38” x2.125”
Print time	144 cards/hour (Single-sided YMCK)
Print ribbon	YMCK Ribbon YMCKK Ribbon
Retransfer Film	Clear with optional hologram layer
Card feeding system	Automatic feed from Card Input Feeder Manual feed
Card feeding capacity	Card Case: 250 cards (0.76mm / 30-mil) Outer Hopper: 250 cards (0.76mm / 30-mil) Reject Box: 30 cards (0.76mm / 30-mil)
Interface	USB2.0 Ethernet 100BASE-TX, IEEE802.3u is this correct? RS-232C x 2 (Port for extended users) USB-HUB
Option	3-track magnetic encoder, contact IC chip encoder, contactless RFID encoder
Security	RFID Ribbon, Card, Film Optional Security Lock
Supported OS	Windows XP, Windows 7, Windows 8, and Windows 10
Power source	AC90V~264V, 50/60Hz
Power consumption	Power save mode: 15W
Operating noise	While operating: less than 53 dB While resting: less than 45 dB
Dimensions	432mm ( H ) × 338mm ( W ) × 307mm ( D )
Weight	18.75 kg / 41 lbs
Operating environment	Temperature: 10 to 35°C / 50° to 95° F Humidity: 20 to 80% RH (without condensation)
Storage environment	Temperature: -20 to 60°C / -4° to 140° F Humidity: 20 to 80% RH (without condensation)

## 1.3 Unpacking

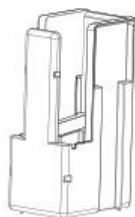
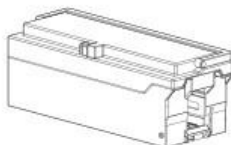
When you receive your printer, please check for possible shipping damage:

1. Inspect outside of both box and printer for possible damage.
2. Open top cover of printer to see if media compartments are in order. If you discover shipping damage upon inspection:

Immediately notify shipping company and file a damage report.

Keep all packaging material for shipping company inspection.

Notify your authorized Dascom reseller.



---

The package contents vary with different customized order requirements.

---



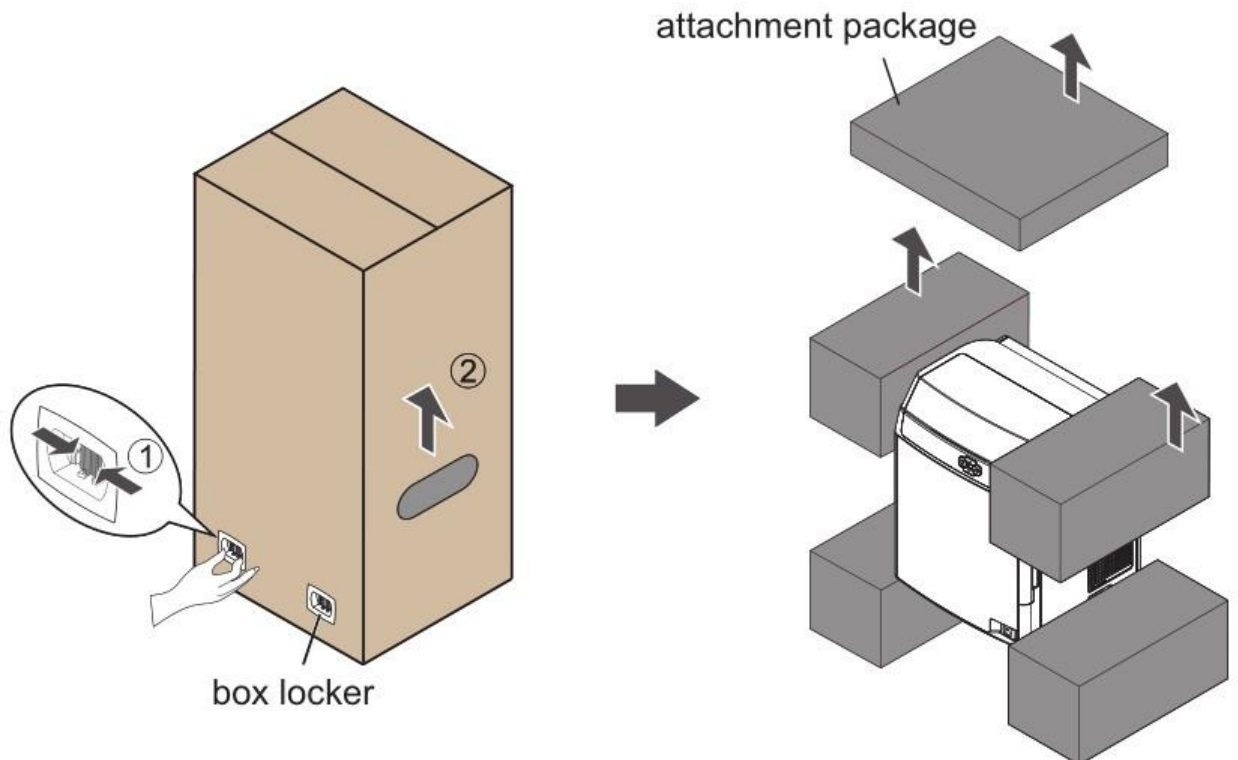
Package Contents:

Standard	Printer	1 unit	
	Card cassette	1 unit	
	Output tray	1 piece	Wax
	Reject bin	2 pieces	
	Power cord	1 piece	
	Cleaning Card	1 piece	
	Cleaning roller	1 unit	
	Graphic installation guide	1 piece	
	CD-ROM	1 piece	Includes User Guide, Driver, Setup Tool, Graphic Installation Guide

■ Remove the packaging

Remove protective material as shown below.


- ① Unlock the box locker.
- ② Lift the printer out of the box. (“Attachment Package” below should be “Printer Accessories”)



## 1.4 Operating the Printer Safely

The following precautions must be observed to assure safe operation of your printer. Do not do anything that is not described in this manual. Doing so could cause an unexpected failure.

Installation location	Do not install the printer in a damp or dusty location.	
	Do not install the printer near flammable or explosive materials or a heater, stove or any other device that produces heat.	
	Place the printer away from walls, as shown in the diagram below, to maintain air flow. Also, maintain at least 30 cm (12 inches) of open space above the printer. Blocking vents may cause the printer to overheat and fail prematurely.	
	Do not install printer on an unstable table, on a slant, or any place where there is excessive vibration.	
	Do not install the printer in a location susceptible to rapid fluctuations in temperature.	
	Do not install the printer in a location exposed to direct sunlight.	
	Power supply	Use a dedicated power cable and do not use an extension cord with multiple outlets.
Be sure to remove any dust from the plug and electrical outlet. Humidity produces a micro-current on the surface causing overheating.		
Do not damage or modify the Power Cable. Also, do not place heavy objects, pull, or bend power cord excessively.		
Do not plug in or unplug the Power Cable if your hands are wet.		
Ensure a ground wire is connected. When connecting the ground wire, note the following cautions. <b>Recommended connections for ground wires</b> Electrical outlet ground terminal Ground terminals installed as type A, B, or C A copper rod 65 cm (25.6 inches) or longer buried in the ground. <b>Not permitted for ground wires</b> Gas piping (risk of fire or explosion) Water pipes or taps (water pipes that include plastic piping cannot act as a ground. However, if a water pipe is configured to act as a ground, then connection of a ground wire is permitted.) Telephone line ground wires or lightning conductors (danger of high current flow in the event of a lightning strike.)		
Be sure to turn off power and unplug the plug from electrical outlet before moving the printer.		
Pull on the plug or cable when unplugging it from an electrical outlet.		
Do not use an under-rated extension cord.		
Handling		Do not use flammable sprays near the printer.
		Do not touch anything inside the printer unless specified in this manual.

	Do not place heavy items on the printer and do not lean on the printer.
	While the printer is operating, do not turn off the power, unplug the power cable, or look inside (open) the printer.
	<b>WARNING</b> The lower part of the Top Access Cover, the printer internal heat roller section, and the thermal head section become very hot. Ensure you do not touch these three locations.



- The cooling fan is always running for cooling inside the printer. This is not a malfunction.
- Contact your reseller if there is a current leak.
- The printer may cause static, flickering or interrupt reception of televisions or radios if they are too close to the printer.

---

Under the following conditions images on cards may deteriorate or cards may warp after printing:



- The surface of the card is in contact for an extended period with a vinyl card holder or synthetic leather or other material that contains a plasticizer.
- The surface of the card is exposed to direct sunlight for an extended period.
- The card is repeatedly rubbed against a hard object such as a key.
- The faces of two cards are in contact for an extended period.
- The card is kept for an extended period in a very hot location such as a car parked in the sun.
- The card is bent, or used with excessive force.

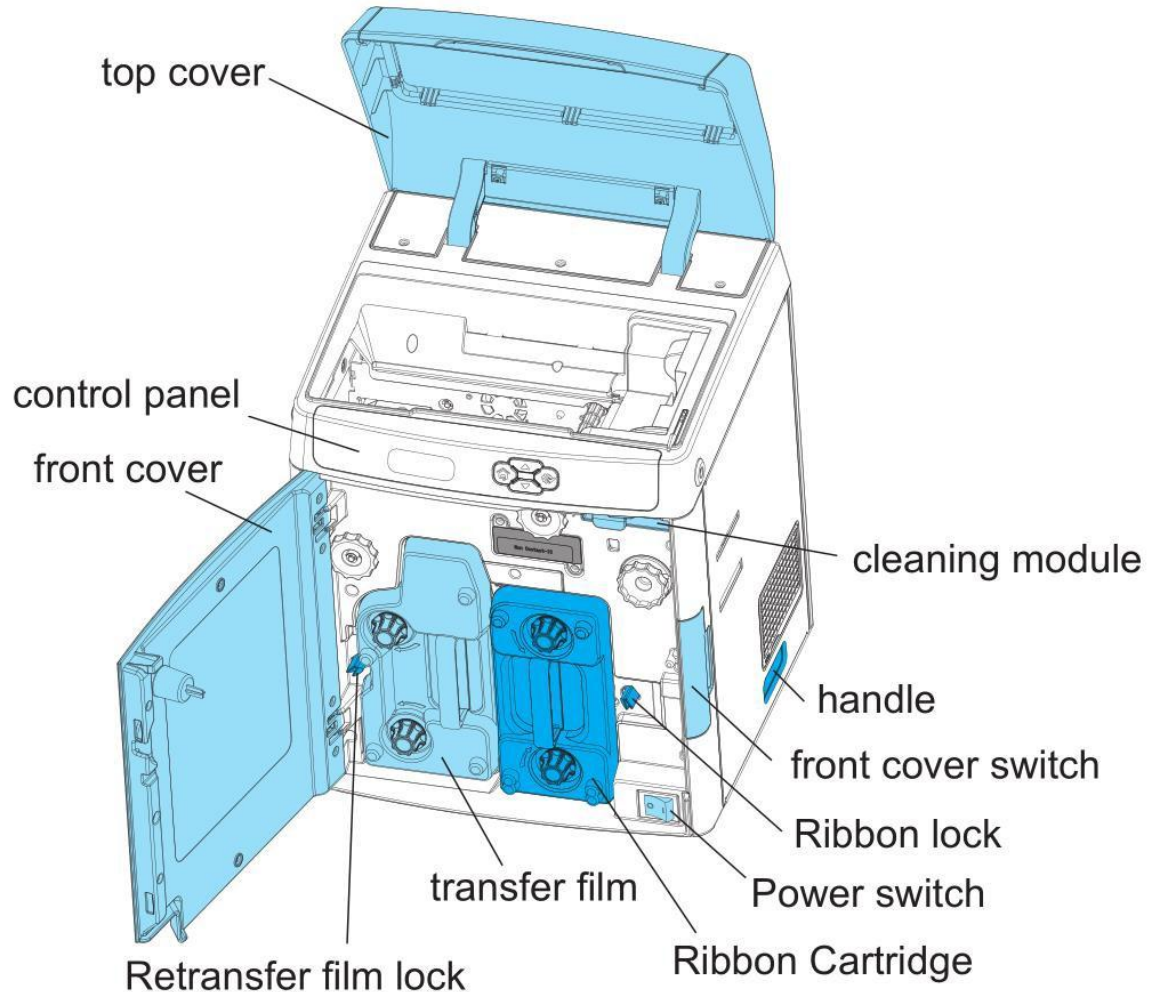
If a card with a magnetic strip is placed near a magnetic source, the data on the strip could become corrupted.

Additionally, if an IC chip card is bent, or used with excessive force, the IC chip may be damaged.

## 1.5 Printer Components

Printer components and their functions are shown as below :

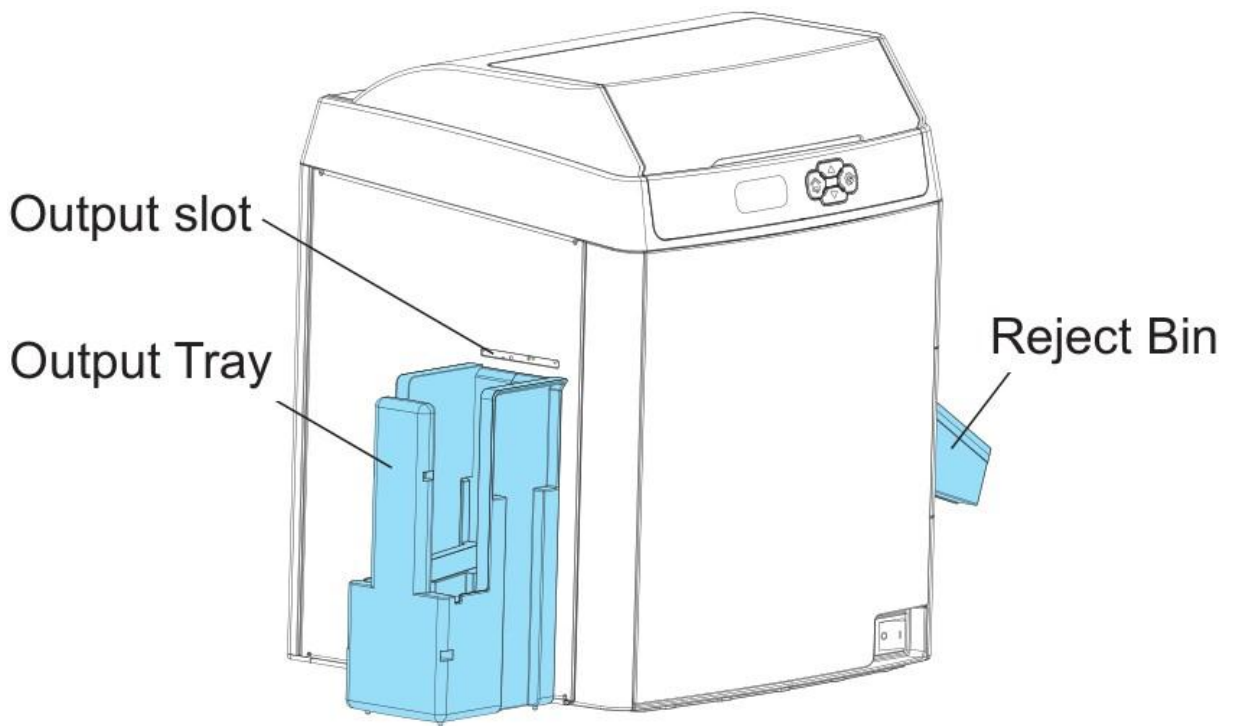
### 1.5.1 Front Side of the Printer



Component Name	Function
Top cover	Open when loading cards or cleaning the feeding roller.
Control panel	Includes the keys, the LCD Panel, and LED indicator for operating the printer.
Front cover	Open when changing print ribbons and retransfer film, and when cleaning the Cleaning Roller.
Retransfer film cartridge lock	When loading retransfer film, move the lock switch away from retransfer film cartridge to release.
Retransfer film cartridge	Retransfer film. This is where you install retransfer (INTM) film
Ribbon cartridge	Ribbon cartridge. This is where you install color print ribbon.
Rib cartridge lock	When loading ribbon, move the lock switch away from print ribbon cartridge to release.
Power switch	Turns power on and off.

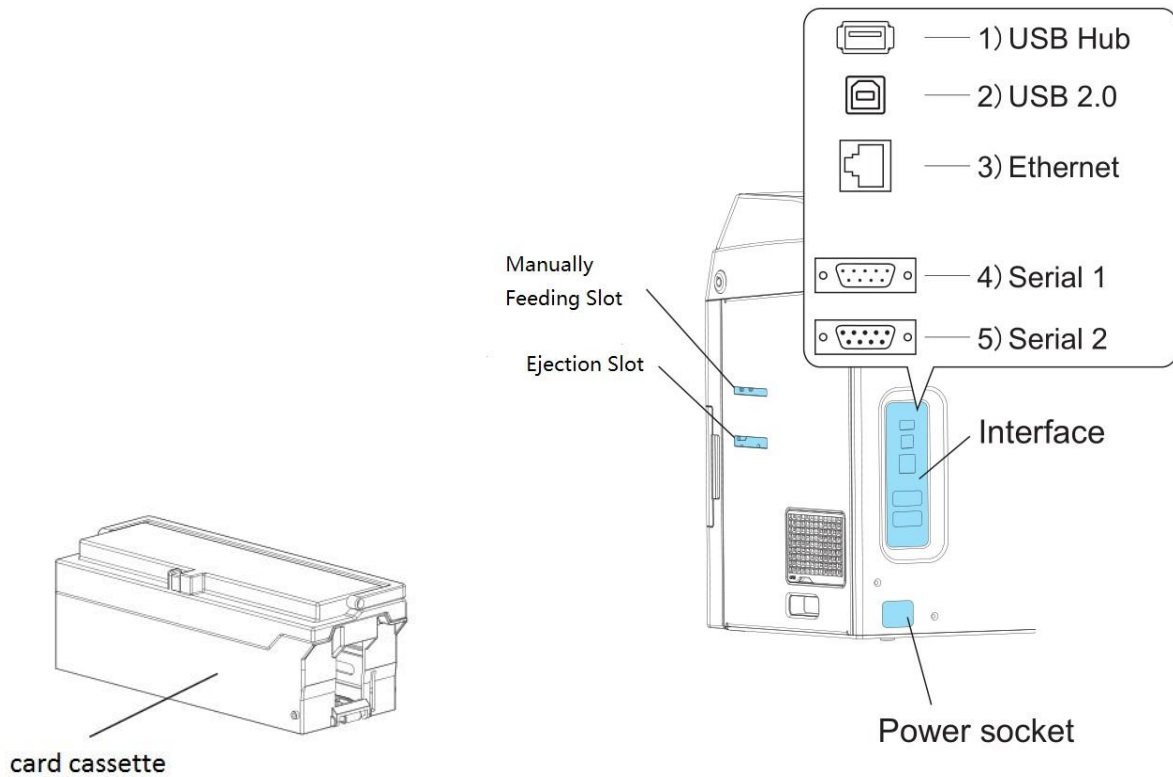
Component Name	Function
Front cover switch	Front Cover opening switch. Press to open the Front Cover.
Handle	Move the printer.
Cleaning module	Remove when replacing the Cleaning Tape (or “roller”?).

### 1.5.2 Card Output Bin



Component Name	Function
Output slot	Ejects correctly printed cards.
Output tray	Catches / collects correctly printed cards
Reject bin	Cards with errors are placed here

### 1.5.3 Rear Side of Printer





Component Name	Function
Card cassette	Up to 250 0.76mm / 30-mil cards can be loaded at a time. You can adjust the gate gap to match card thickness. Factory default is set so the gap corresponds to feeding of cards of 0.76 mm / 30-mil cards.
Manual feeding slot	Manually feed cards one at a time, or single-feed.
Ejection slot	Through this slot to eject cards.
Interface	USB Hub, USB 2.0 and Ethernet as standard interface, Serial 1 and serial 2 as optional.
Power socket	Used to connect Power Cable.

### 1.5.4 Control Panel



There are four buttons.

Logo	Name	Function
	【Menu/Exit】 key	Enter or exit current setup
	SET Key	Confirm current setting
▲/▼	【Up/Down】 keys	Choose between or navigate settings

Status LED and buzzer

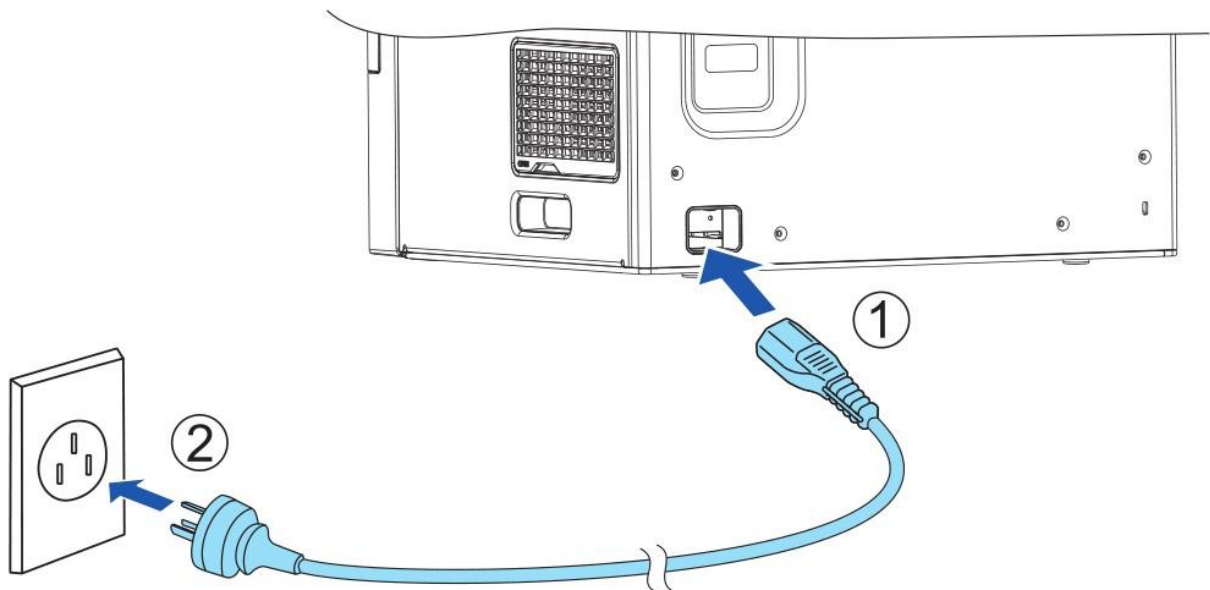
Printer Status	Ready LED (Blue)	Error LED (Red)	buzzer
Initiating Heating	Flashes	Flashes	/
Ready	On	Off	/
Menu setup	On	On	/
Printing	Flashes	Off	/
Warning	Flashes	Flashes	/
Error	Off	On	Buzz constantly

LCD

User can learn status of printer via the LCD.

## 1.6 Attaching Power

1. Make sure the printer and the computer are powered off.
2. Connect the power cord to the printer.
3. Connect the power cord to the power socket.
4. Ensure the power cord is securely connected. Turn on the printer power button.



- 
- 1) Avoid placing power adapter nearby a heating device, otherwise the cable could melt, causing fire and shock;
  - 2) If you do not use the printer for long periods of time, disconnect the power supply from the printer power adapter.
-



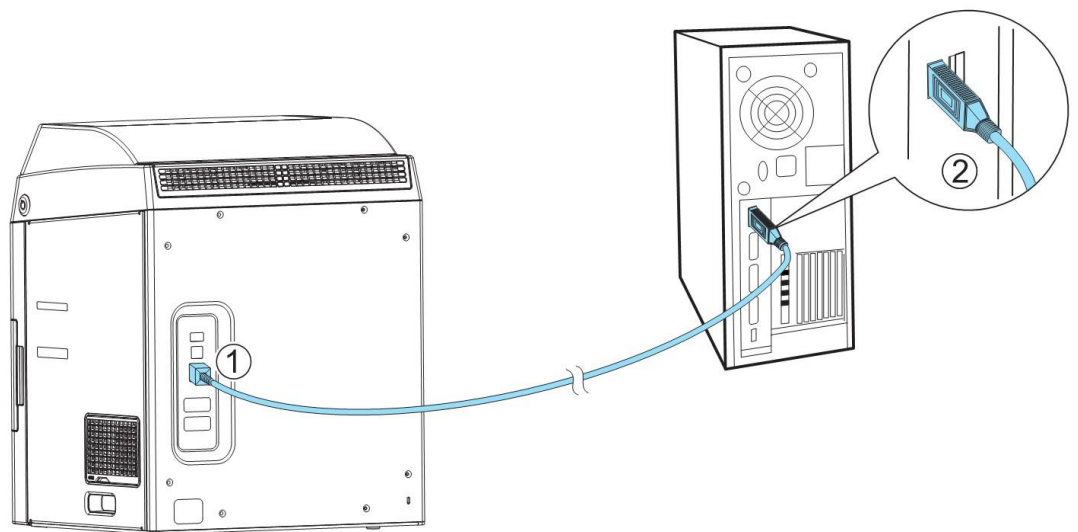
## 1.7 Connecting to Computer

**NOTE!**

Be sure to install the driver before connecting printer to host computer.

Before installing, disconnect Power cord from printer (as well as turning power switch off). Even when power is switched off, voltage is still present at some points on the circuit board. Changing components while the power unit is connected can cause damage to the interface board and the printer.

1. Insert interface cable connector firmly into the appropriate interface connector on the connector panel.
2. When using connectors equipped with screws, tighten screws to secure connectors firmly.
3. When using interface cables equipped with a grounding line, attach the ground line to the screw hole marked "FG" on the printer.
4. Connect the other end of the interface cable to the host computer.



## 1.8 Installing Windows Driver

Your printer CD-ROM comes with a Windows Driver. Go to the Driver folder and run the installer. Please always check website [www.dascom.com](http://www.dascom.com) for latest version of driver.



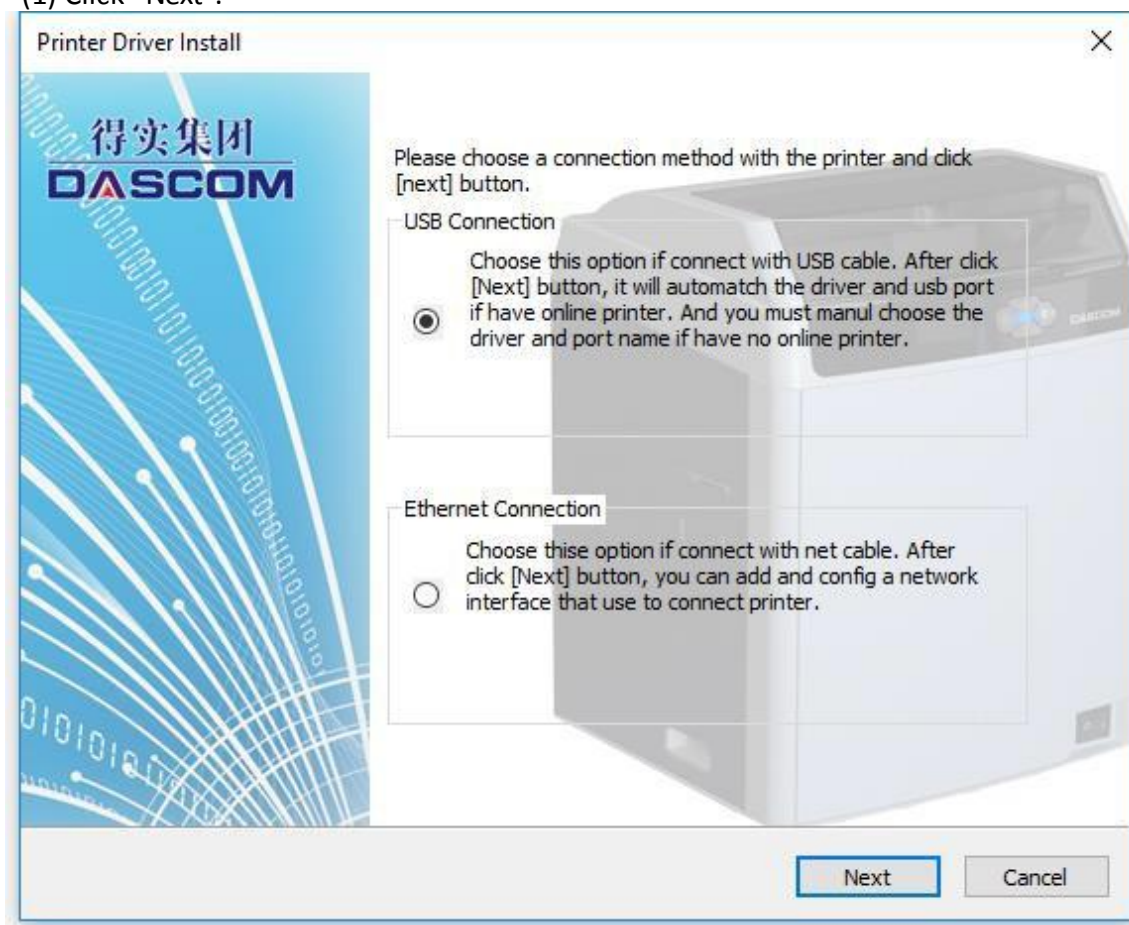
Switch off printer before running printer driver setup.

### 1.8.1 Installing Windows Driver via USB

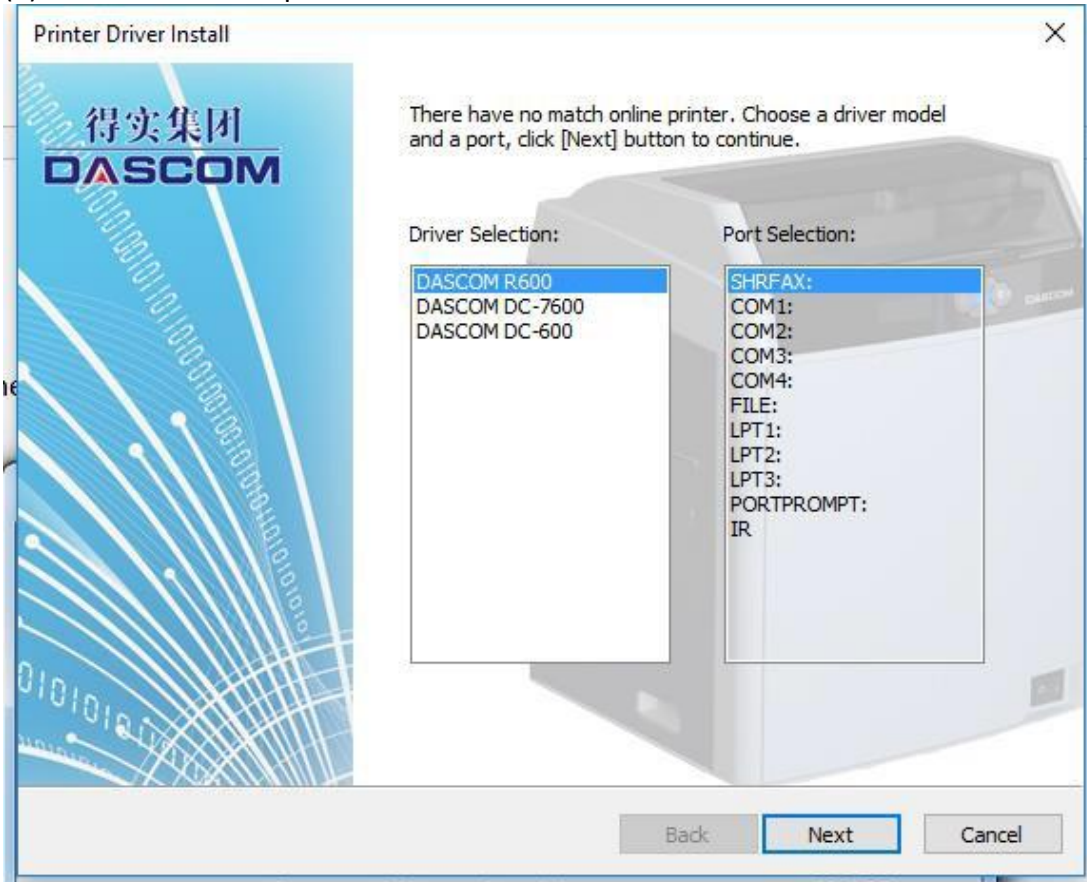


Switch off printer before running printer driver setup.

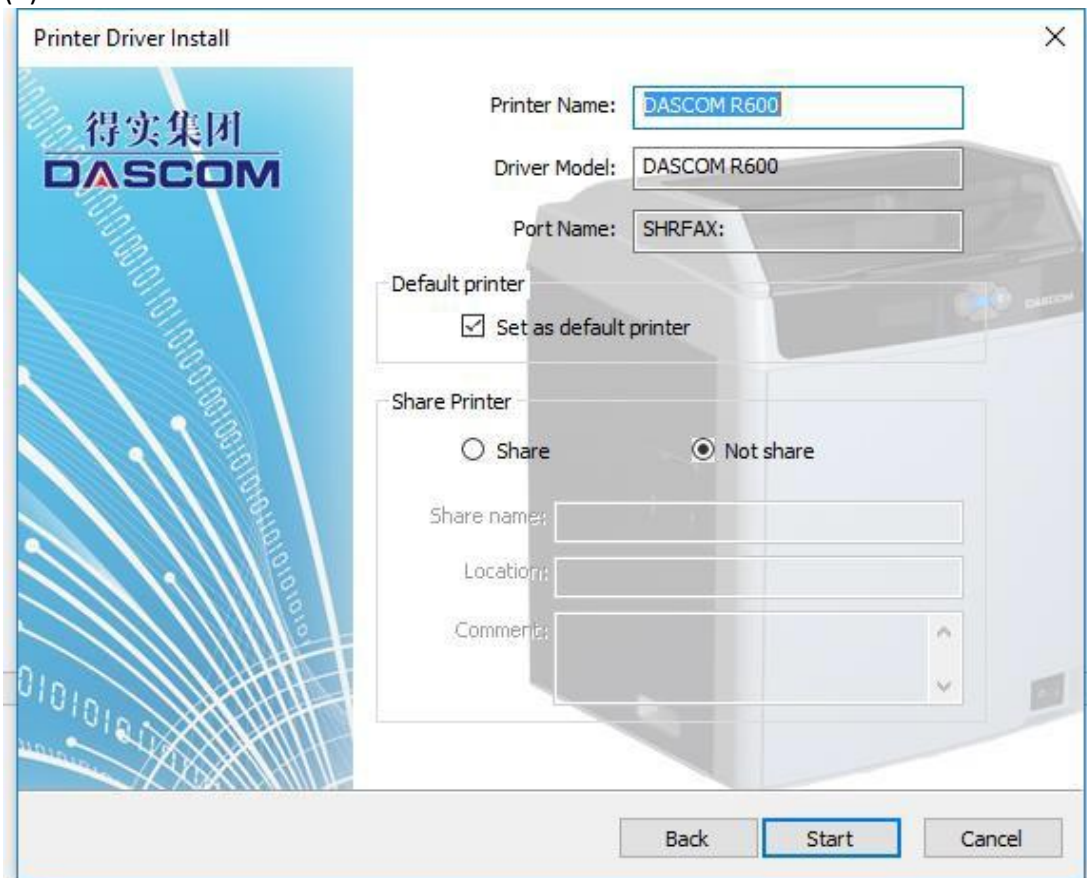
(1) Click "Next".



(2) Select installation path to the Driver.



(3) Click "Finish".



(4) Installed successfully.

---

## CHAPTER 2 INSTALLATION

### 2.1 Installing Cards

Cards can be loaded automatically from the **card cassette** or manually from the **manual feed slot**.

The card cassette can hold a large quantity of cards making it convenient for mass or large-scale printing.

Feeding cards one-by-one manually is well-suited for printing cards with different features such as magnetic stripe, or RFID mifare contactless cards.

#### 2.1.1 Card Specifications

This printer supports CR-80 cards.

Dimensions : 85.6mm × 54mm / 3.38" x2.125"

Thickness: 0.48mm ~ 1.10mm / 19-mil to 43-mil

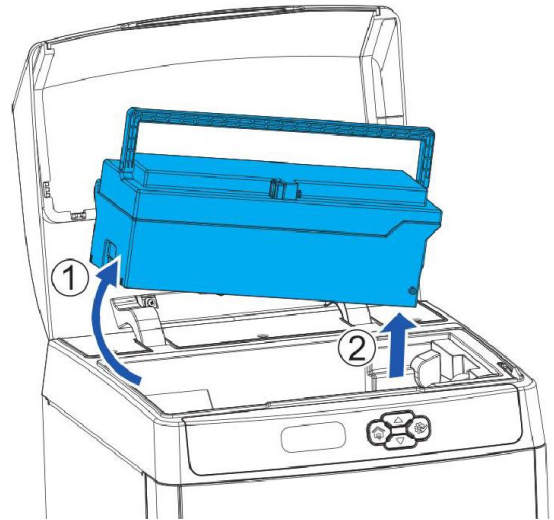
Types: blank card, magnetic stripe card, contact smart card, contactless smart card, and pre-printed card.

- 
- Non CR-80 cards may cause defective print results or become stuck or lodged in the printer requiring service.
  - Do not use the cards listed below:
    - Previously printed cards
    - Damp cards
    - Cards containing foreign particles, such as glass or metal
    - Embossed cards
    - Cards contaminated with oil, grease or dirt
    - Defective cards with damages ,cracks, broken corners, or bends
    - Transparent Cards
    - Cards with odd shapes that are not CR80 in size

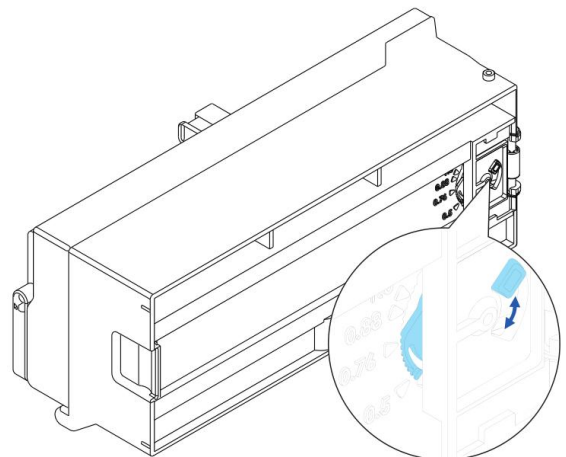
## 2.1.2 Setting the Card Thickness

The factory default supports 0.76mm (30mil) card thickness. Confirm the correct thickness setting before installing new cards to the card cassette.

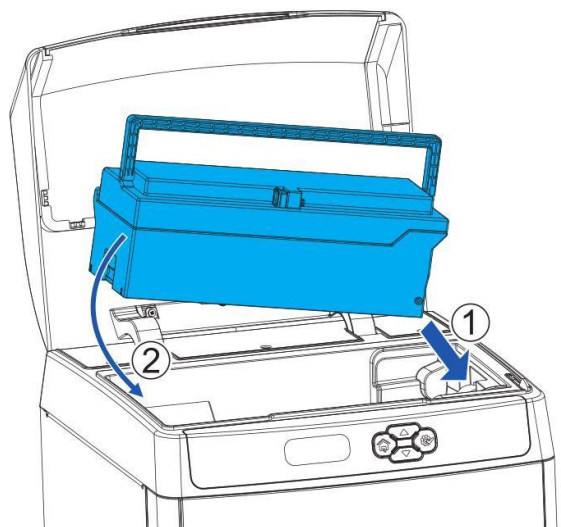
- Open the printer **top cover**.
- Hold the **card cassette handle**. Lift up left end first①. Then pull out the whole feeder②.



- Take out all stored cards, if any.
- Underneath the **card cassette**, you find a white **thickness dial**. Align the pointer on the dial to match with one of the thickness markers for your cards.

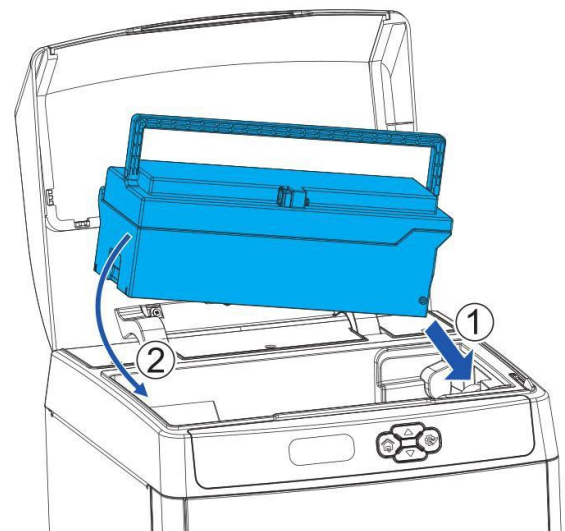
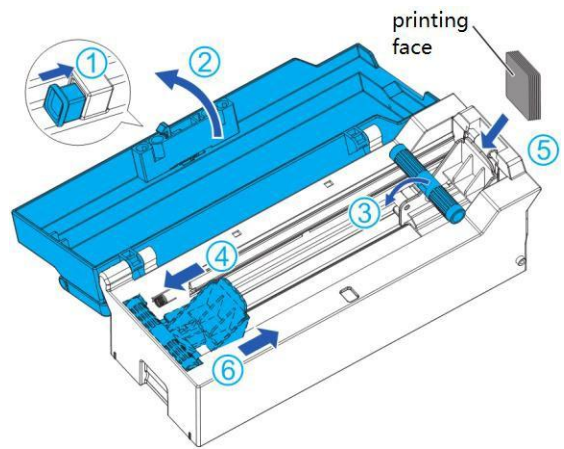


- Go to Section 2.1.4 to load new cards into the **card cassette**.
- To install the feeder to its original compartment, lower its right end first① and then lower the whole feeder② completely in place.
- Close the printer **top cover**.



### 2.1.3 Loading Cards into the Card cassette

- Unlock the **card cassette** by pushing its **lock**① Sideways to the left.
- Open the **cover**②.
- Hold **handle**③ and pull the **slider** to the far left end.
- Move the **handle to left and bring it** in place in the provided **slot**④ .
- Orient the printing surface of cards so that they face towards the inside compartment. Insert **cards**⑤ to the right side of the compartment.
- Release the slider handle⑥ from the slot and move it to the right to enable slider to press against the cards.
- To install the feeder to its original compartment, lower its right end① first and then lower the whole feeder② completely in place.
- Close printer **top cover**.



Reverse this procedures to take out the **card cassette** from the printer compartment.

### 2.1.4 Face Up/Down Stacking for Output Cards

By default, correctly printed cards are ejected to the output tray with the printed surface facing up. You may change the stacking orientation by LCD panel settings or Windows driver software.

**Auto:** After printing, the cards feed out directly into the Output Tray.

**Face Up:** Correctly printed cards are arranged with the printed surface facing up.

**Face Down:** Correctly printed cards are arranged with the printed surface facing down.

Follow the below procedures to change the stacking orientation:

- ① Refer Section 3.2 to change from Normal Mode to User Mode.
- ② Press the **▼ Key** until [Card Setup] is displayed. Press the **SET Key**.
- ③ Press the **▼ Key** until [Eject Face] is displayed. Press the **SET Key**.
- ④ Press the **▼/▲ Key** to change the stacking orientation. Press the **SET Key**.



**Auto** is the factory default for output cards stacking.

---

### 2.1.5 Optimizing Print Quality

You can select proper card type by LCD panel settings or Windows driver software to optimize the print quality, which is determined by the retransfer speed/temperature on various card materials.

Follow the below procedures to change the card type:

- ① Refer Section 3.2 to change from Normal Mode to User Mode.
- ② Press the **▼ Key** until [Card Setup] is displayed. Press the **SET Key**.
- ③ Press the **▼ Key** until [Card Type] is displayed. Press the **SET Key**.
- ④ Press the **▼/▲ Key** to select the proper type:

PVC

PET

PET-G

Card 1 ( 35,0 )

Card 2 ( 35,0 )

Card 3 ( 35,0 )

Press the **SET Key** to save the setting.

### 2.1.6 Managing Rejected Cards

This printer is equipped with left and right slots to separate correctly printed cards from rejected ones. By default, rejected cards are ejected from the right slot. However, the two slots are interchangeable for your preference.

Follow the below procedures to assign the location of the Reject Slot:

- ① Refer Section 3.2 to change from **Normal Mode** to **User Mode**.
- ② Press the **▼ Key** until [Card Setup] is displayed. Press the **SET Key**.
- ③ Press the **▼/▲ Key** until [Std card exit]/[Error card exit] is displayed. Press the **SET Key**.
- ④ Press the **▼/▲ Key** to select the proper reject slot:



For factory defaults, the printer outputs correctly printed cards and rejected ones to the left and right slots, respectively.

## 2.2 Replacing the Ribbon

Change the ribbon when the LCD prompts **[RIBBON END]** message.

Approved ribbons for this printer:

Type	Product Code
YMCK 4-Panel Color Ribbon	
YMCKK 5-Panel Color Ribbon	

Please contact your local reseller for ribbons not listed above.

- Direct touching contaminates the **ribbon/retransfer film** and causes uneven print quality.
- Avoid excessive impact on the ribbon/retransfer film when replacing them.
- Using non-genuine products may cause poor print quality and printer malfunction.
- Quality and reliability of the non-genuine products are not guaranteed.
- Even within the warranty period, fees may be charged on servicing the printer using non-genuine products.



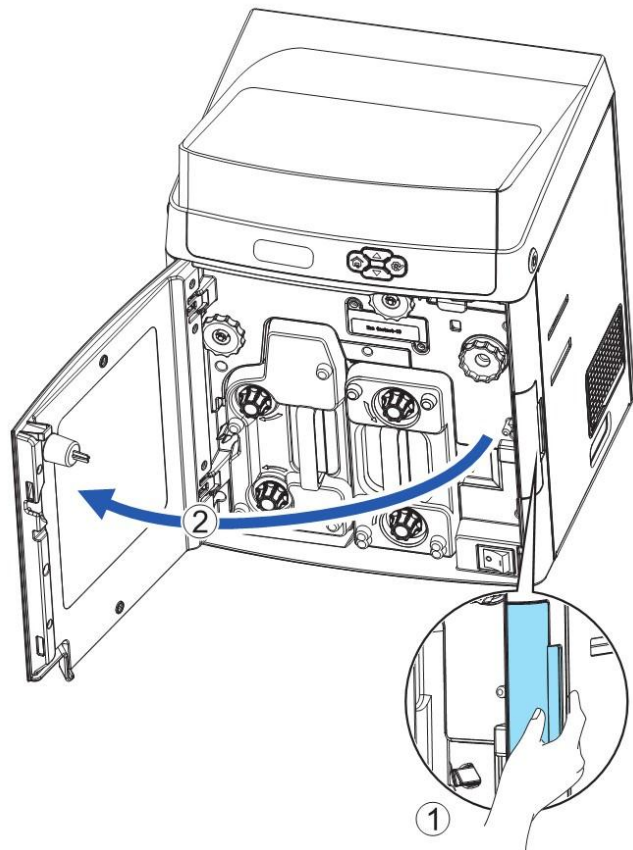
Refer Section 3.3 to get the unused amount of your ribbon/retransfer film.

LCD Panel operation or the Windows software driver provide an estimation of the remaining ribbon/retransfer film that are sufficient for your current print job. The LCD displays the **[RIBBON END]** or **[FILM END]** warnings when they close to running out.

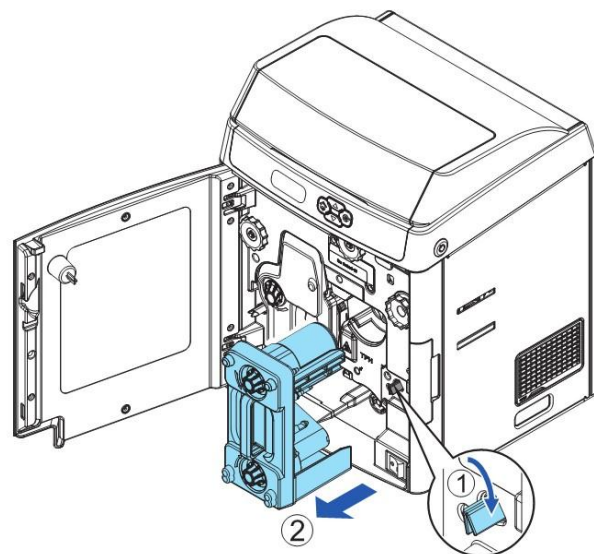
Consume the ribbon/retransfer film as soon as possible after purchase. (



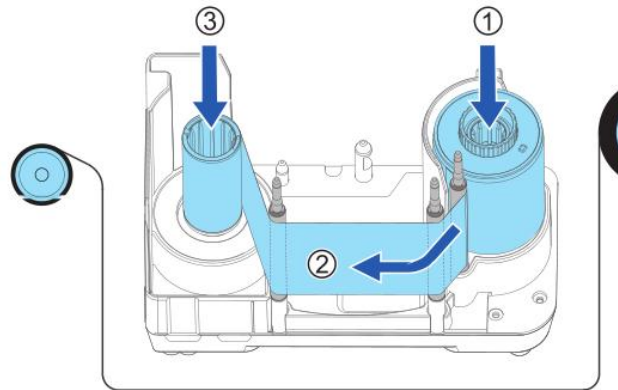
- Hold the **handle**① and open **front cover**②.



- Turn the **ribbon lock**① clockwise to unlock the **ribbon cartridge** and pull out the whole cartridge②.

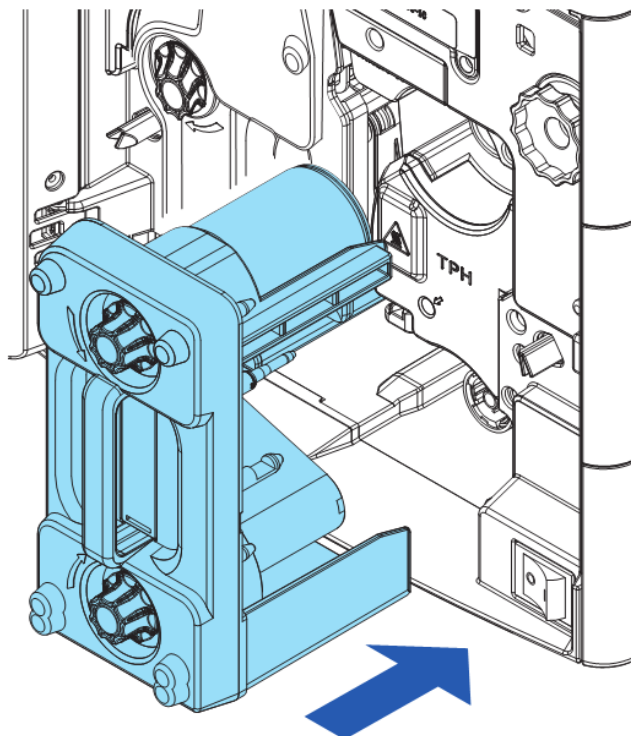


- Remove old ribbon from cartridge, if necessary.
- To load a new ribbon onto cartridge, place or engage **orange spool** ① of ribbon to feeding hub of the cartridge.
- While unwinding the ribbon film, route ② the film around three guiding poles.
- Finally engage the **black spool** to the winding hub ③ of cartridge.

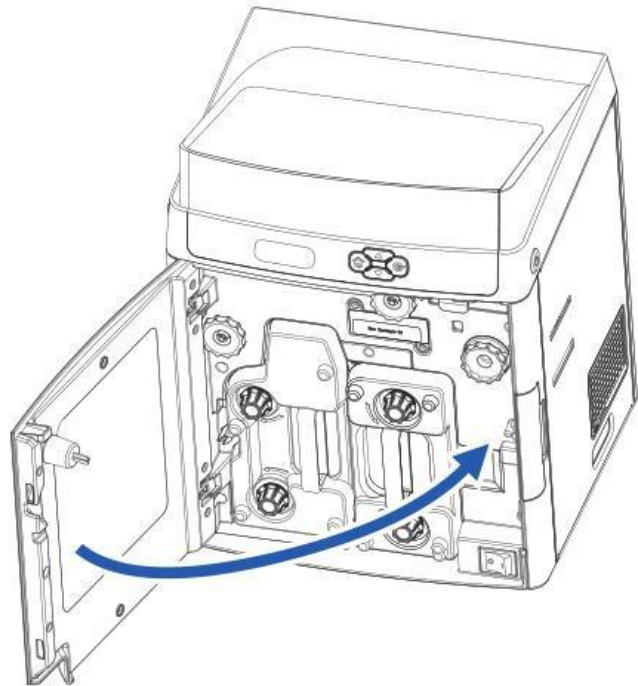


Apply some force to push in the spools to the hubs.  
The ribbon should be slightly tightened and not slanted.

- As shown in the right diagram, push in the ribbon cartridge to the far end until a “click” is heard to indicate correct insertion.



- Close the front cover to its original position.



### 2.3 Replacing the Retransfer Film

You should replace the retransfer film when the LCD shows [FILM END] warning. Care should be taken not to contaminate the film in the replacement process.



Refer Section 3.3 to get the unused amount of your ribbon/retransfer film. When the film cartridge is removed, do not touch the interior space, which is very hot. Read provided safety instructions.

Approved retransfer film		
Type	Description	Product Code
Transparent Retransfer Film	Transparent retransfer film	
Security Retransfer Film	Customized retransfer film (INTM) for security purposes.	

Please contact your local reseller for ribbons not listed above.



- Direct touching contaminates the **ribbon/retransfer film** and causes uneven print quality.
- Avoid dropping or stressing the **ribbon/retransfer film** when replacing them.
- Using non-genuine products may cause poor print quality and printer

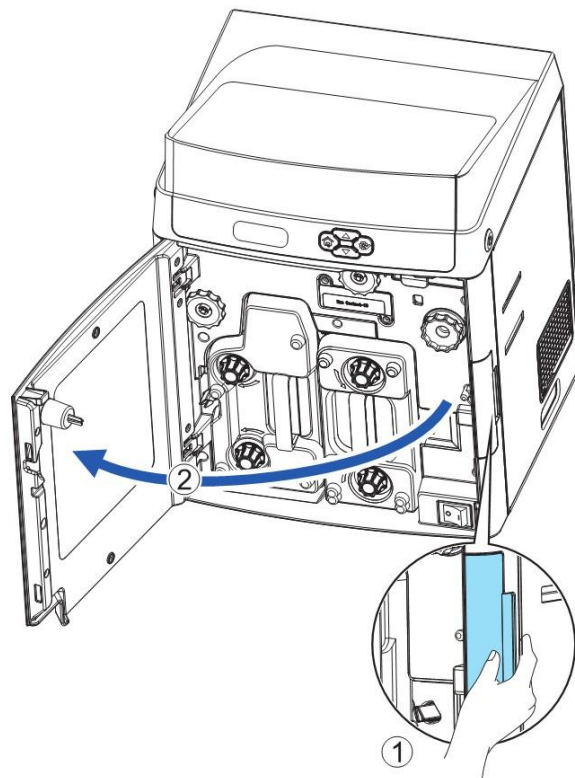
---

malfunction.

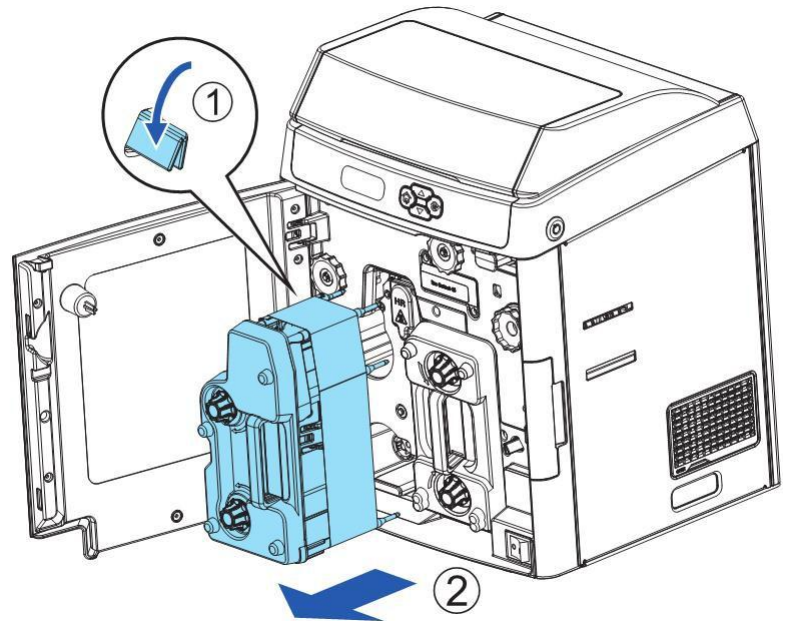
- Quality and reliability of non-genuine products are not guaranteed.
  - Even within the warranty period, fees may be charged on servicing the printer using non-genuine products.
  - (This formatting needs correcting.)
- 

---

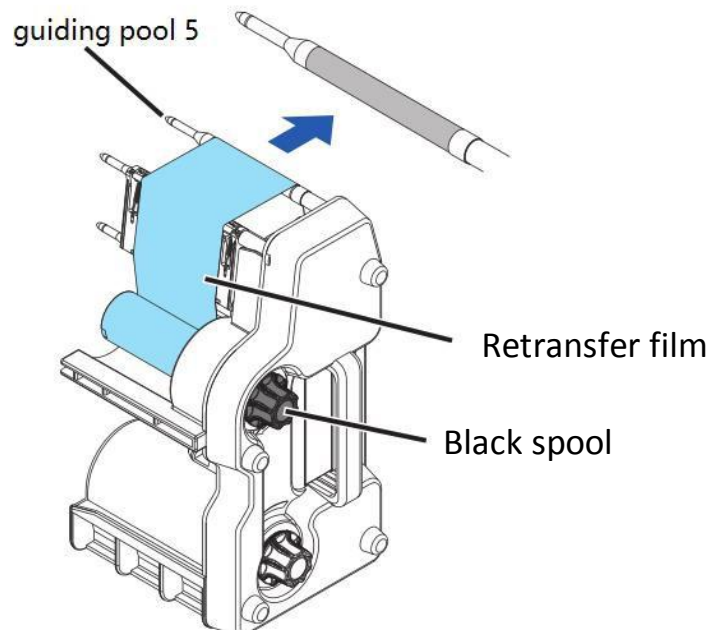
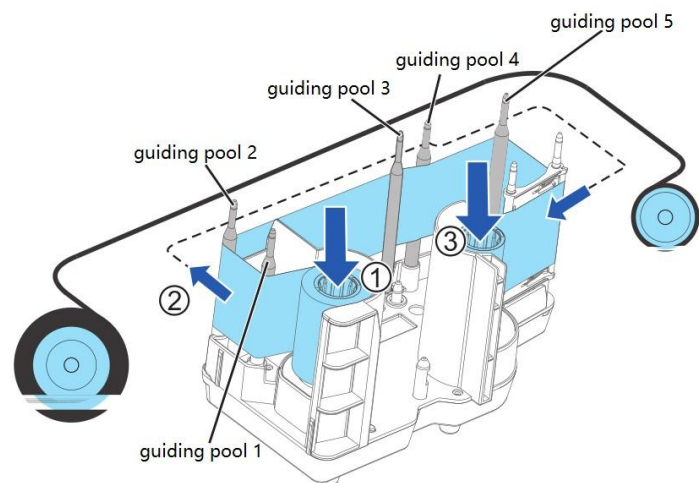
① Hold the **handle** and ②  
open the **front cover**



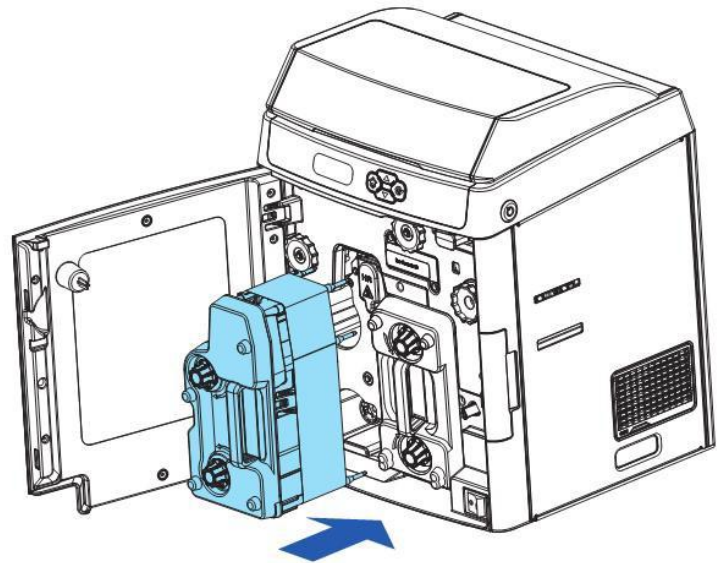
- ① Turn the retransfer **film lock** counter-clockwise to unlock the retransfer **film cartridge** and ② pull out the whole cartridge.



- Remove the used retransfer film from the cartridge, if needed.
- To load new retransfer film onto the cartridge, engage the **green spool**① of the retransfer film to the feeding hub of the cartridge.
- While unwinding the ribbon film, route② the film around the five indicated guiding poles. Note the change of direction on the 4<sup>th</sup> pole.
- Finally engage the **black spool**③ to the winding hub of the cartridge. (need to show “winding hub” in picture to right)

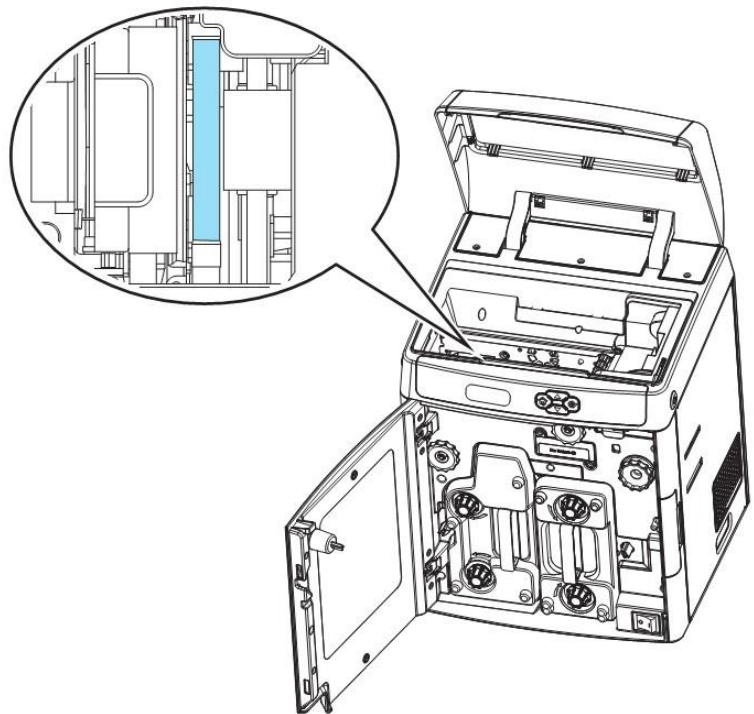


- As shown in the right diagram, push in the retransfer film cartridge to the far end until a “click” is heard to indicate correct insertion.

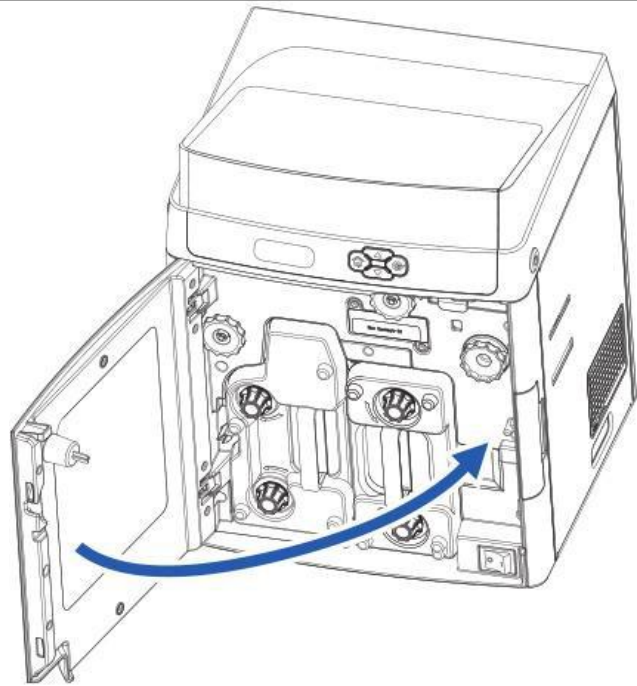


Avoid the film touching the printer compartment during insertion.

- Improper retransfer film installation affects the overall print quality. After inserting the retransfer film cartridge, double-check so that there is no slanted film:
  - Open the printer top cover.
  - Take out the card cassette.
  - Confirm the retransfer film stays within the area shown in the right diagram. If not, re-install retransfer film cartridge by following above directions.



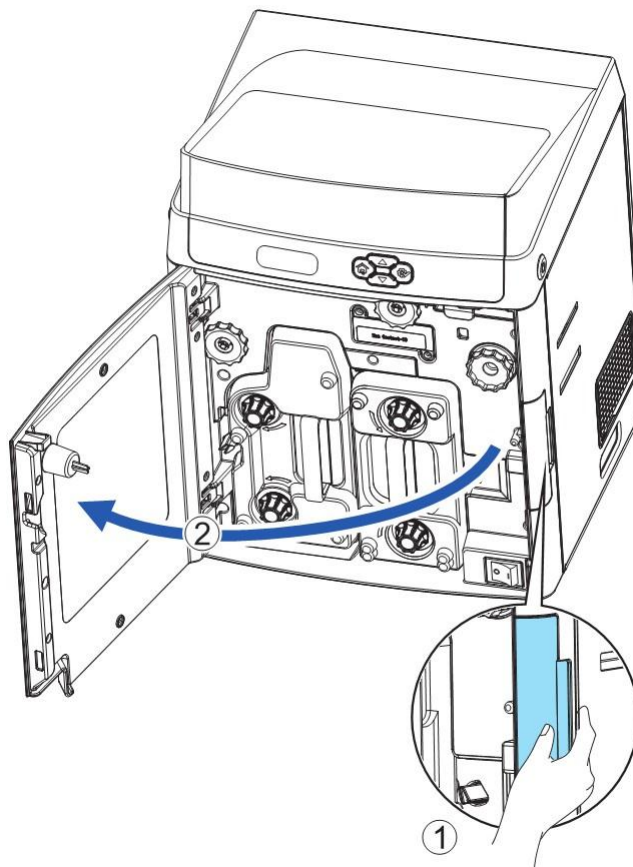
- Return the front cover to its original position.



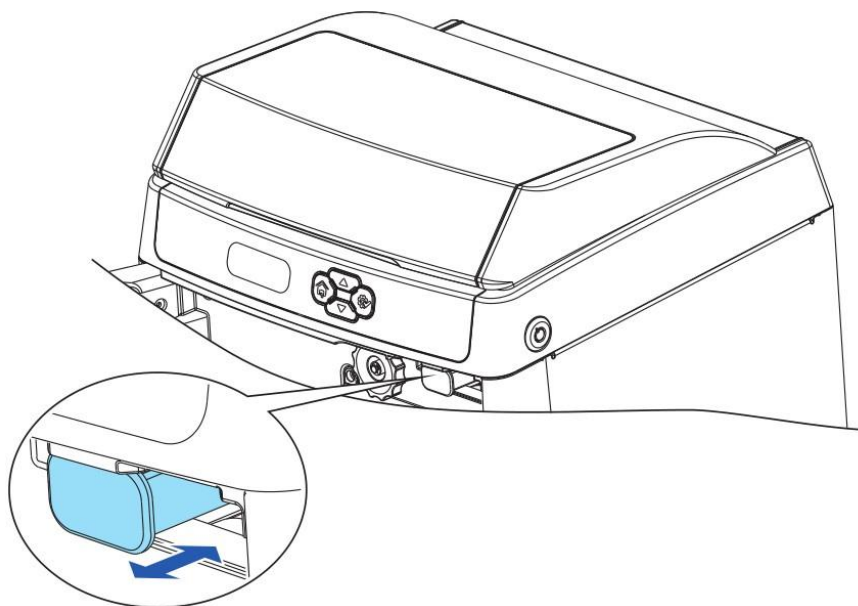
## 2.4 Replacing the Cleaning Roller

One **cleaning roller** is shipped with each **ribbon** in a package. **IMPORTANT:** Replace cleaning roller each time you change the ribbon film.

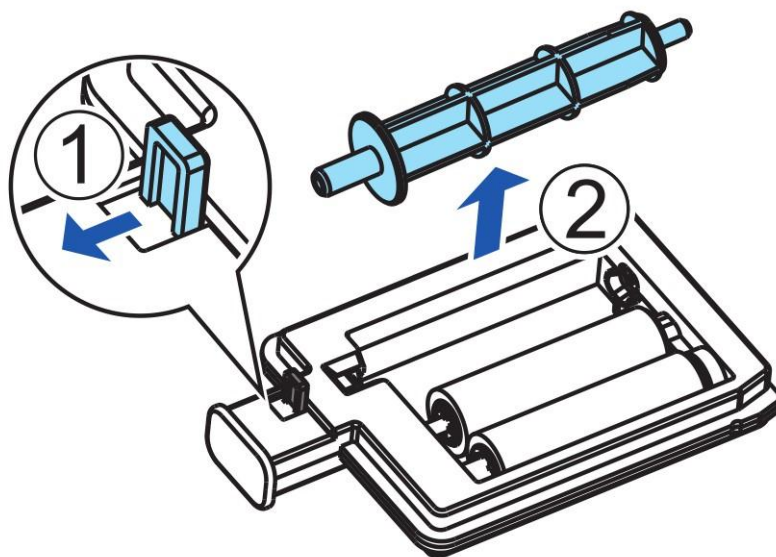
- Hold the **handle**① and open the **front cover**②.



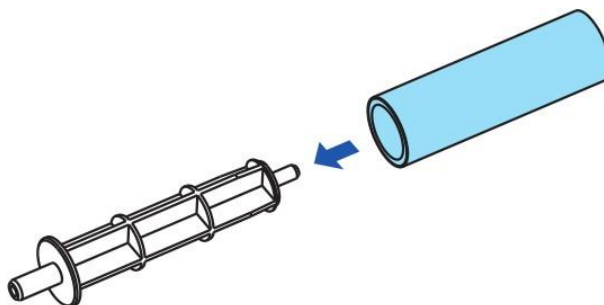
- Directly pull out the **cleaning cartridge** to release it from lock position.



- Pull the **lock**① to release the **spindle**②.
- Remove the old cleaning roller.

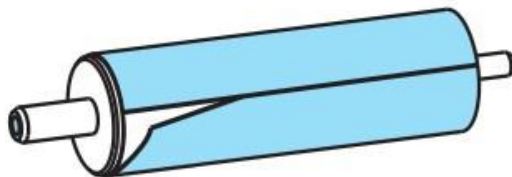


- Sleeve a new **cleaning roller** into the **spindle**.

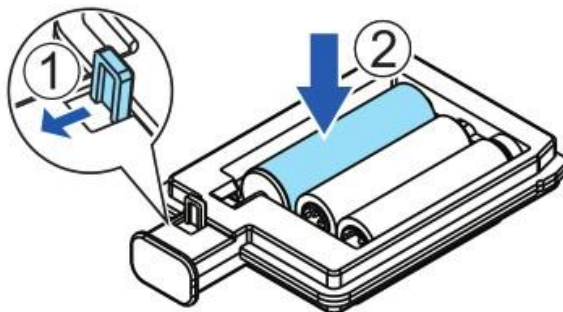




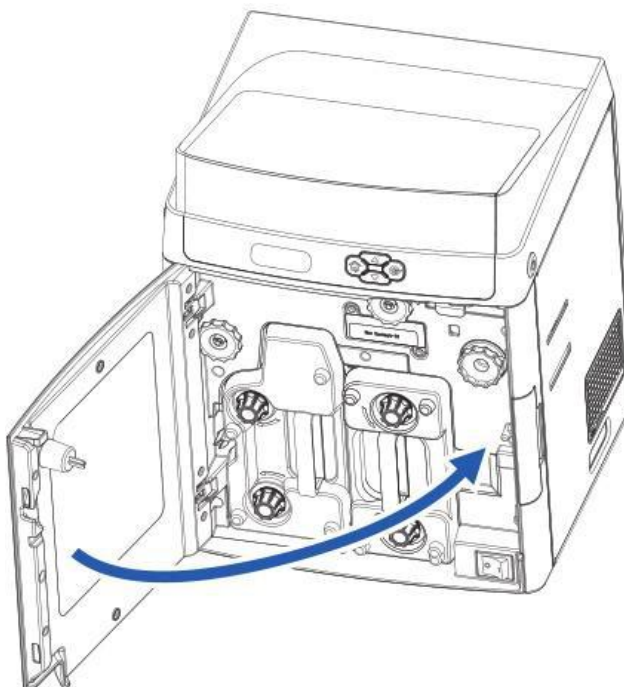
- Peel off protective Sheet or coating.



- Pull the lock ① and drop the roller ② to its original position in the cleaning cartridge.

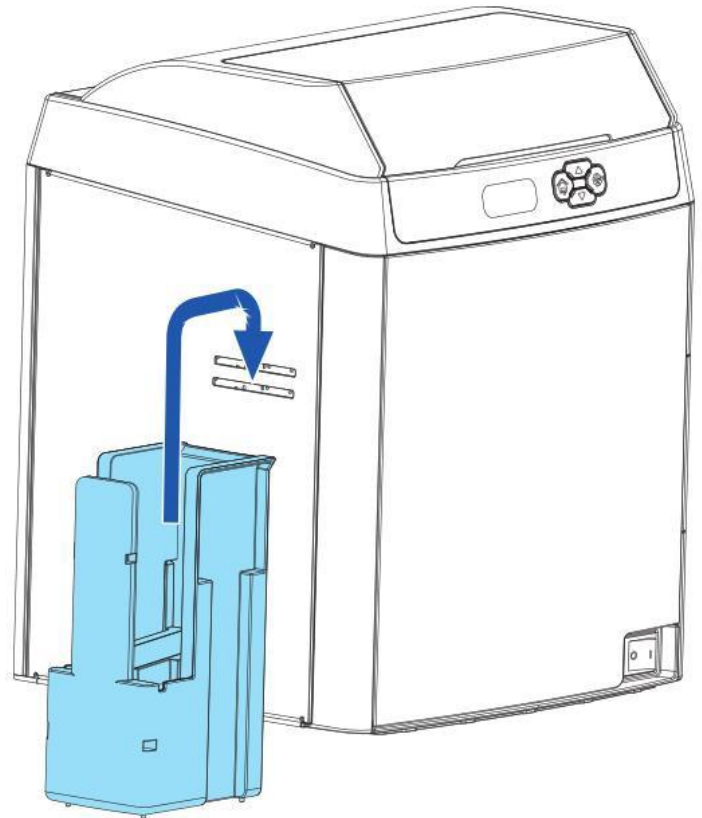


- After the replacement procedure, restore the **cleaning cartridge** until you hear a “click” sound.
- Return the front cover to its original position.



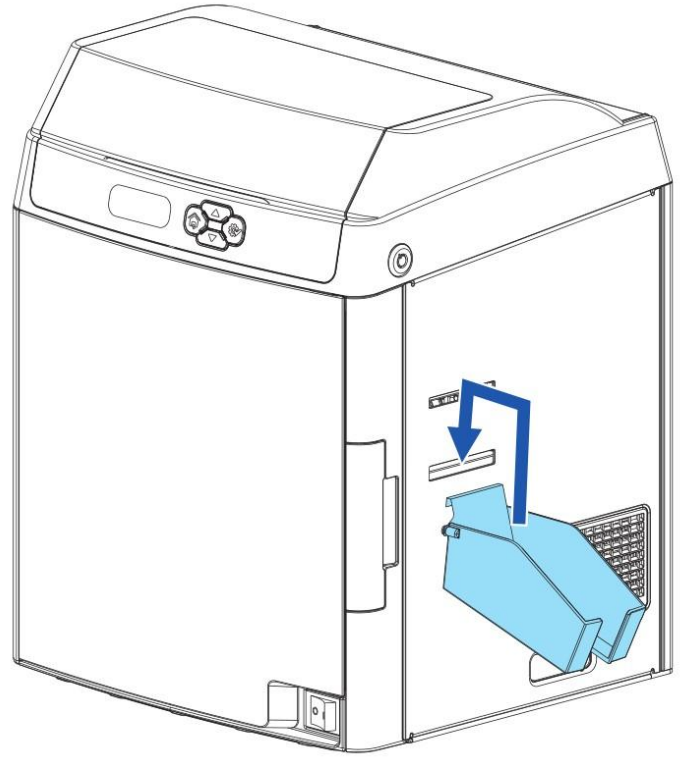
## 2.5 Installing the Output Tray

- Correctly printed cards are stored in the **output tray**.
- Hook the **output tray** to the opening next to the **output slot**.



## 2.6 Installing the Reject Bin

- Incorrectly printed or encoded cards are directly to the **reject bin**.
- Hook the **reject bin** to the opening next to the **ejection slot**.



## CHAPTER 3 NORMAL MODE AND USER MODE

You can change between **Normal** and **User Modes** when the printer is operating. This section outlines the differences between these two modes and how to switch from one to the other.

### 3.1 Normal Mode

After start up, the printer goes into Normal Mode in which the printer can print cards.

Ribbon	Empty[*****]Full
RTF	Empty[*****]Full

In this mode, after you press the **▲ Key** for 1 second, the LCD displays the unused ribbon and retransfer film indicated by a series of “\*” marks. Each “\*” represents 20% remaining:

In this mode, after you press the **▼ Key** for 1 second, the LCD displays the temperature of the **heater unit** and **print head (can we add Fahrenheit also?)**:

Heater Temp : 203°C
Print head Temp : 38°C

Normal Mode Message List:

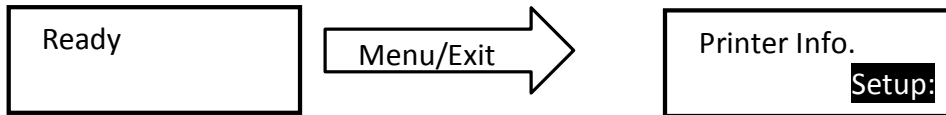
Initialize	The printer undergoes system diagnostic and initialization. Cards remaining in printer from a previous irregular session will be ejected.
Heating	The heater unit is warming up.
Ready	The printer is awaiting host requests or commands.
Printing	The printer is in a printing session.
Power Save Mode	The printer is in an energy saving state.

## 3.2 User Mode

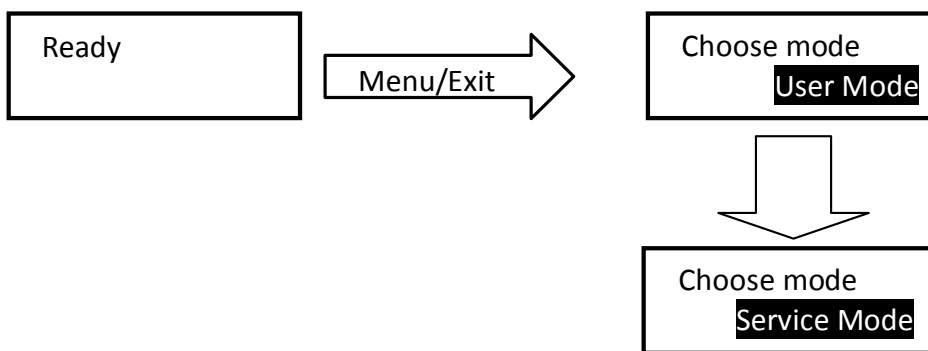
User Mode allows changing the parameters and checking the status.

■ Steps to change from Normal Mode to User Mode:

- 1) After LCD displays **[READY]**, press **Menu/Exit Key** for 1 second then release it. The LCD changes its display to **[Printer Info.]**, which is the entry menu in User Mode:



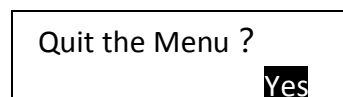
- 2) Press **【Menu/Exit】Key** for 3 second then release it. The LCD shows [Choose mode]. Press **▲** or **▼** Keys to select **User Mode** or **Service Mode**:



Even when the printer is in an error state, you can change modes.

■ Step to return to Normal Mode from User Mode:

- 1) Continually press **Menu/Exit Key** until the LCD shows [Quit the Menu]. Then press **SET Key** to return to Normal Mode:

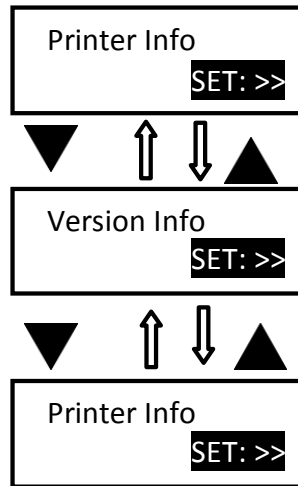


Function of four keys in User Mode:

- Menu/Exit Key: back to its parent menu, i.e. one level up in the menu hierarchy.
- ▲ Key: previous item.      ▼ Key: next item.
- SET Key: an affirmative response to the second line in the LCD.

■ Moving between menus in the same level

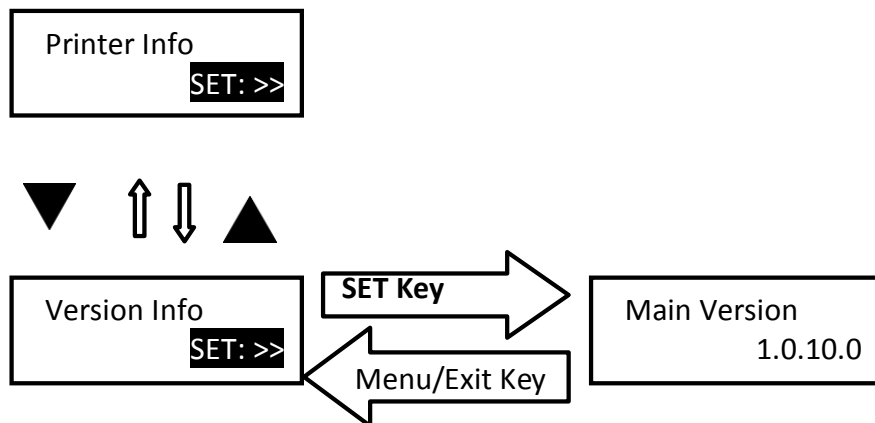
Section 3.3 lists out eleven menus in the same level, from **Printer Info**, **Version Info**, ... to **Reset User Default**. Consecutively pressing **▼/▲** keys leads to your designated menu. For example:



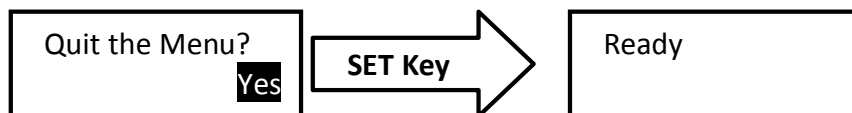
■ Entering a sub-menu (go down one level in the menu hierarchy)

Sections 3.3.1~3.3.11 are the sub-menus associated with the corresponding parent menus listed in Section 3.3.

When **SET: >>** appears on the second line of the menu, pressing **SET Key** enters available sub-menus or parameter values. Below, the right menu is the sub-menu of the left one.



■ Consecutively press **Menu/Exit Key** until the LCD shows [Quit the Menu]. Then press **SET Key** to return to Normal Mode:



**SET Key** must be pressed to save the newly changed value. Pressing **Menu/Exit Key** or switching off the printer will not save any newly changed value(s).

## 3.3 The 11 major menus

- Printer Info
- Head Info
- Version Info
- Printer Setup
- Card Setup
- Ribbon/Film Setup
- Image Setup
- Interface Setup
- Option
- Cleaning
- Reset User Default

### 3.3.1 Sub-menus for Printer Info

View the utilization history of this printer in each sub-menu:

- ◆ Card Count
- ◆ Print Count
- ◆ Ribbon Remainder
- ◆ Film Remainder
- ◆ Printer S/N



---

For quality assurance at the factory, it is necessary to run various print tests on the printer. A value of tens or more for Card Count is normal during manufacturing of your printer.

---

### 3.3.2 Sub-menus for Head Info

View the print head information in two sub-menus:

- ◆ Print Count
- ◆ Printhead S/N



---

Record the new print head serial number after replacement; otherwise, failure to do so affects print quality and voids the warranty for this print head.

---

### 3.3.3 Sub-menus for Version Info

View the latest version(s) in this printer:

- ◆ Main Version
- ◆ Sub Version
- ◆ FPGA Version
- ◆ Main Boot
- ◆ Sub Boot

### 3.3.4 Sub-menus for Printer Setup

View and change operation parameters:

- ◆ Buzzer: OFF\ON
- ◆ Power Save Mode: Sleep Mode\Delay Power Down
- ◆ Language: Chinese\Japanese\English
- ◆ LCD Contrast: 128
- ◆ LCD Light: OFF\ON

**Sleep Mode:** Time elapsed to sleep mode from idle.

**Delay Power Down:** Time elapsed to cut off the main power from sleep mode.

Setting Name	Valid Settings
Sleep mode ( Default )	Off , 5~ 120 (minutes)
Delay power down	Off , 5~ 120 (minutes)



The factory default value for “sleep mode” is 30 minutes (“30Min”)

### 3.3.5 Sub-menus for card setup

View and change card properties:

- ◆ Card type: PVC/PET/PET-G/card 1 ( 35 , 0 ) / Card 2 ( 35,0 ) / card 3 ( 35,0 )
- ◆ Decurl Time(Front):0-5 (need to understand these numbers)
- ◆ Decurl Time(Back) : 0-5
- ◆ Std card exit: LEFT SIDE\RIGHT SIDE



- ◆ Error card exit: LEFT SIDE\RIGHT SIDE
- ◆ Magnetic/IC Pos: Front\Back
- ◆ Eject Face: Auto\Front Up\Back Up
- ◆ Card Feed Mode: card cassette\Right(Manual)\Right(Auto)

Card Type

Valid Settings	Details
PVC (Default)	Apply optimized retransfer conditions for standard PVC cards.
PET	Apply optimized retransfer conditions for standard PET cards.
PET-G	Apply optimized retransfer conditions for standard PET-G cards.
Card1 ( XX , +YY )	Print quality is determined by re-retransfer conditions: XX=the speed to feed the card and +YY=heater temperature. Larger values of XX feed the card at a higher speed duration re-retransfer. Larger values of +YY apply higher temperature for the re-retransfer process.
Card2 ( XX , +YY )	
Card3 ( XX , +YY )	



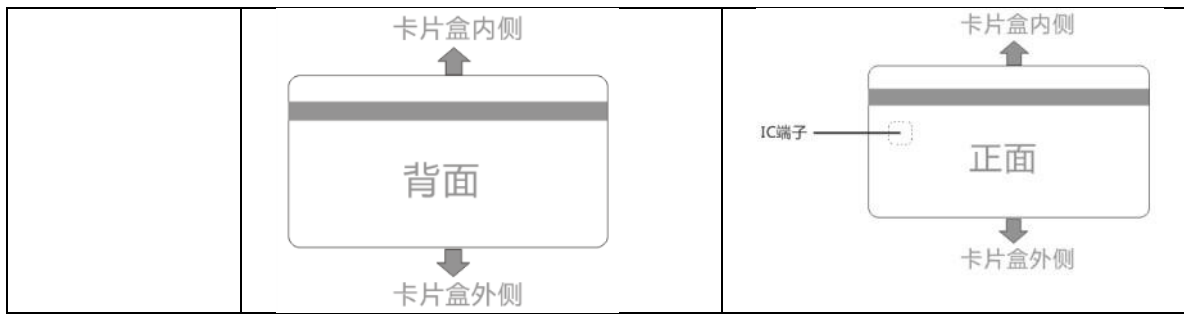
35mm/s and default temperature are the default settings for Card 1-3 (Card Type is cut off above)



Excessive heat can bend cards. Even optimized retransfer conditions (speed/temperature) sometimes causes cards to bend. Change this setting to minimize the degree of bend. No bend correction = 1 second is the default setting.

Card loading face ( IC/Chip card loading )

Valid Settings	Printing Surface (when singled-side printing)	Rear Side (when singled-side printing)
Standard (Default)	Contact IC 	ISO chip 
back	ISO chip	Contact IC



Eject Face:

Valid Settings	Details
Standard ( Default )	Back Up
Back	Front Up

Card Feed Mode:

Valid Settings	Details
card cassette	Cards are automatically fed from the card cassette.
Manually feeding	Follow instructions shown on LCD display. Manually insert a card from the right insertion slot.

### 3.3.6 Sub-menus for Ribbon/Film Setup

View and change ribbon/retransfer film:

- ◆ Ribbon Type: YMCK/YMCKK
- ◆ Film Type: Normal
- ◆ Ribbon near end(%): 0~100
- ◆ Film near end(%): 0~100

Ribbon Type:

Valid Settings	Product Code
YMCK	
YMCKK	

Film Type:

Valid Settings	Product Code
Normal	
Special	



When the unused amounts of ribbon/retransfer film reaches the values specified in Ribn near end(%) and Film near end(%), respectively, the LCD displays warning messages: "Check Ribbon" or "Check Film".

### 3.3.7 Sub-menus for Image Setup

View and manage the color settings:

- ◆ Yellow Balance
- ◆ Magenta Balance
- ◆ Cyan Balance
- ◆ Black Balance
- ◆ Color Brightness

### 3.3.8 Sub-menus for Interface Setup

View and change the interface settings:

- ◆ Printer ID: 0-15
- ◆ IP Type: Static/DHCP
- ◆ IP Address: 192.168.0.12
- ◆ Subnet Mask: 255.255.255.0
- ◆ Default Gateway: 192.168.0.1
- ◆ MAC Address:
- ◆ Timeouts(s) : 10
- ◆ USB ID: OFF/ON

### 3.3.9 Sub-menus for Cleaning

Execute the cleaning process following instructions shown on the LCD display

### 3.3.10 Sub-menus for Option

- ◆ Magnetic Encoder
- ◆ IC R/W1
- ◆ IC R/W2
- ◆ External Box

### 3.3.11 Sub-menus for Reset User Default

- ◆ Reset User Default
- ◆ Reset Service Default

## CHAPTER 4 CLEANING

The printer's rollers need to be regularly cleaned in order to maintain good print quality. This section explains which rollers need to be cleaned and how to clean them.

### 4.1 Cleaning with a Cleaning Card

Use the Cleaning Card provided to clean the Card Transport Roller if cards do not feed smoothly.


We recommend cleaning the rollers after printing 1,000 cards.



---

Cleaning Cards can only be used once and cannot be reused. Use a new Cleaning Card with the adhesive side down every time you clean the rollers.

---

- ① Switch from Normal Mode to User Mode.
- ② Press the  Key until [Cleaning] is displayed, then press the **SET Key**.
- ③ When [Cool Down ---] is displayed, wait until the figure drops to 70 or lower.
- ④ When [Remove Film] is displayed, open the Front Cover, and remove the Retransfer Film.
- ⑤ When [Remove Cards] is displayed, open the Top Cover.
- ⑥ Open the Card Case, and remove the cards from the cassette.
- ⑦ When [Set Cleaning Crd] is displayed, load the Cleaning Card in the Card Feeding Slot.
- ⑧ When [SET:Start] is displayed, press the **SET Key**.

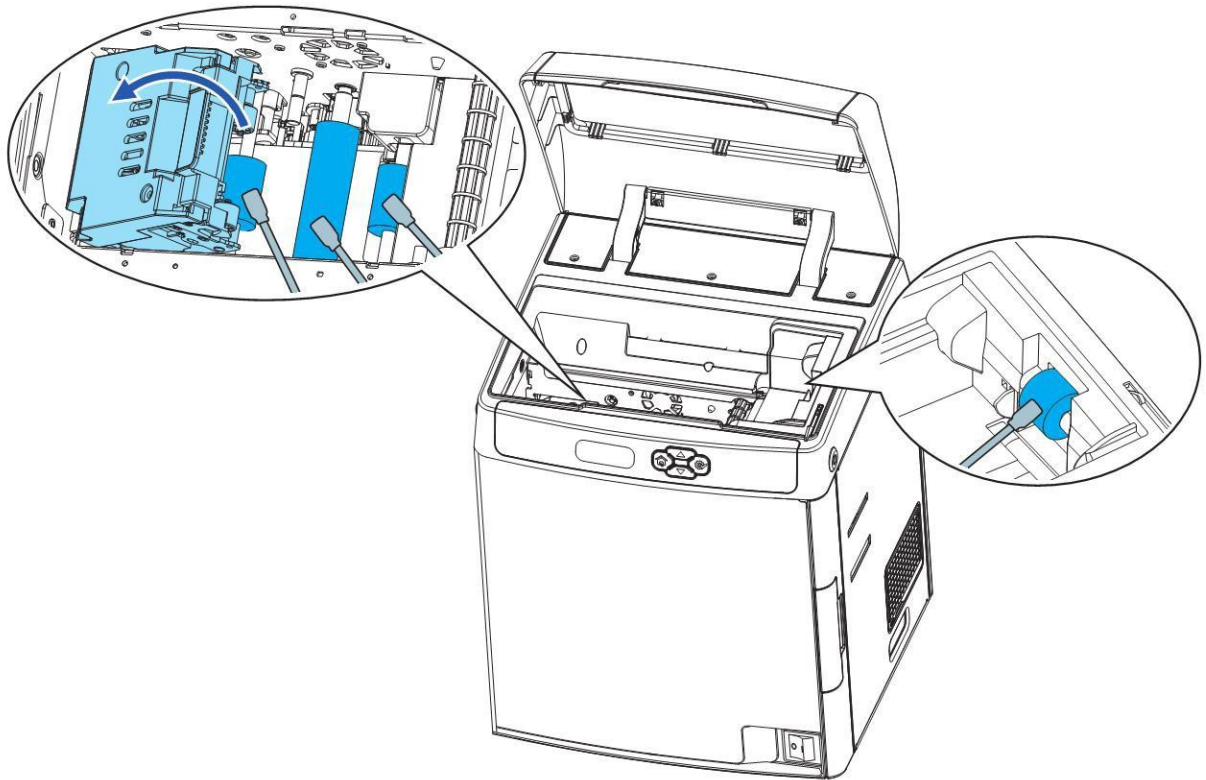
### 4.2 Cleaning the Cleaning Roller

Clean the Cleaning Roller if cards are printed with missing colors or if there are foreign objects on them.

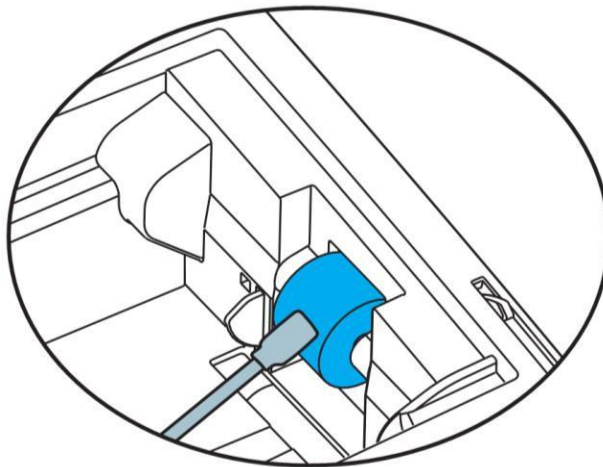
Please refer to section 2.8.

### 4.3 Cleaning the Feeding Roller

Clean the Feeding Roller under the Card Feeder Cassette if cards do not feed smoothly into the printer.



- ① Turn off the power.
- ② Open the top cover, and remove the Card Case.
- ③ Wipe the roller clean with



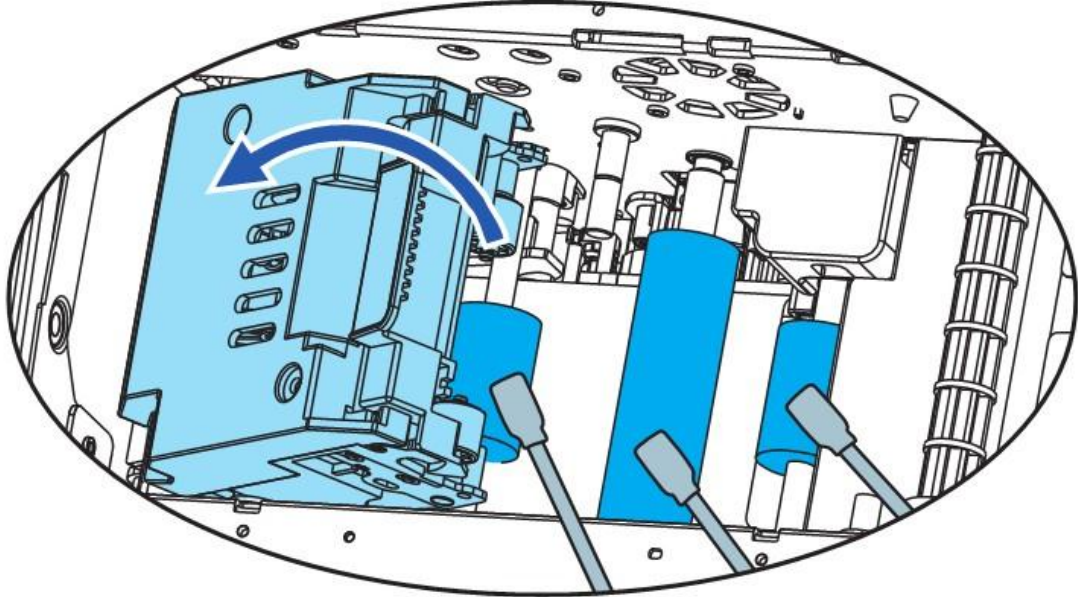
- ④ Load the Card Feeder Cassette.
- ⑤ Close the Top Cover.

## 4.4 Cleaning the Transport Roller

If the printing location on printed cards is out of adjustment, or there is white space at the edge of printed areas, then clean the secondary retransfer section Transport Roller at the bottom of the Top Access Cover.

- ① Turn off the power.
- ② Open the top cover, and remove the Card Feeder Cassette.

- ③ Open the Front Cover and Top Access Cover.
- ④ Lift the decurl section.
- ⑤ Wipe the roller clean with

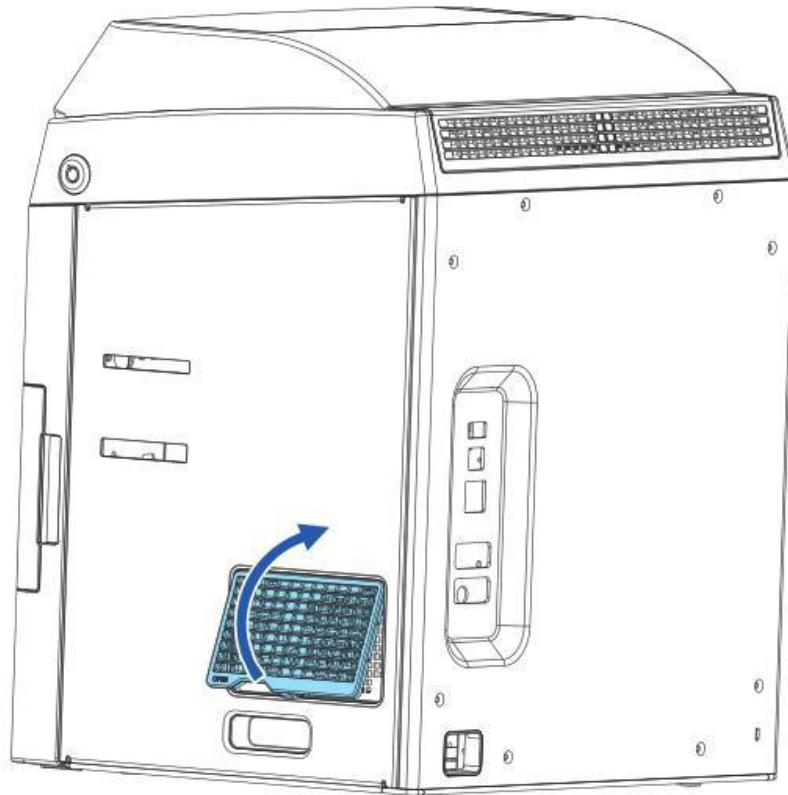


- ⑥ Close the Top Access Cover and Front Cover.

## 4.5 Filter Cleaning

If the filter becomes clogged or dirty, dirt may enter the printer. It is recommended the filter be cleaned monthly.

- ① Turn off the power.
- ② Remove the filter cover on the rear of the printer.



- ③ Use a vacuum cleaner or similar to remove dirt that is adhered to the filter or wash it.
- ④ Attach the filter cover to the printer.

## CHAPTER 5 TROUBLESHOOTING

### 5.1 Warning Messages and Troubleshooting

This printer is designed for minimal user intervention. Occasionally, the LCD displays messages to advise users to take corrective actions.

After clearing an error, press SET to initialize the printer and [Ready] will be displayed.

- Warning/Error List

Display	Solution
Press <b>SET Key</b>	Push the <b>SET Key</b> once
Feeder empty	Card cassette is empty. Refill cards to the feeder. Press <b>SET Key</b> to resume printing.
Cover Open	Close the front cover tightly
Temp Disorder	Ensure the printer is operating at the specified ambient temperature. Then restart the printer
Check Ribbon/Film	Cause: The unused ribbon/retransfer ribbon reached the levels set in "Ribbon Near End" or "RTM Near End". Action: Beware if unused ribbon/retransfer film is sufficient for your print job.
Ribbon End	Do not turn off power. Refer to Section 2.2 to replace a new ribbon. Press <b>SET Key</b> to clear this warning and the printer resumes the previous printing after initialization.
Film End	Do not turn off power. Refer to Section 2.3 to replace a new retransfer film. Press <b>SET Key</b> to clear this warning and the printer will resume previous printing after initialization.
Invalid Ribbon	Probable Cause: Unrecognized ribbon. Action: Do not turn off power. Refer to Section 2.2 to reload the ribbon if ribbon is skewed. Or, check if ribbon type is YMCK/YMCKK. Press <b>SET Key</b> to clear this warning and the printer will resume previous printing after initialization.
Invalid Film	Do not turn off power. Open the front cover to check if any abnormality with the retransfer film. Correct the fault and close the top cover. Press <b>SET Key</b> to clear this warning and the printer resumes the previous printing after initialization.
Film Jam	Probable Cause: Retransfer film winding problem. Action: Do not turn off power. Refer to Section 2.3 to reload the retransfer film. Press <b>SET Key</b> to clear this warning and the printer will resume previous printing after initialization.
Ribbon Jam	Probable Cause: Ribbon winding problem. Action: Do not turn off power. Refer to Section 2.2 to reload the ribbon. Press <b>SET Key</b> to clear this warning and the printer will resume previous printing after initialization.
Feeder Card Jam	Pressing SET as LCD display shown may eject jammed card after initialization. If the fault is not cleared after initialization, turn the rollers manually to clear jammed card (can we show how to manually move rollers here?)
Flip Card Jam	Pressing SET as LCD display shown may eject jammed card after initialization.



Display	Solution
	If the fault is not cleared after initialization, turn the rollers manually to clear jammed card
Printer Card Jam	Do not turn off power. Open the front cover. Turn the rollers to clear jammed card. Close the front cover. Press <b>SET Key</b> to clear this warning and the printer will resume previous printing after initialization.
Magnetic? Card Jam	Pressing SET as LCD display. The error may be corrected after initialization and printing resumes. If initialization cannot clear the fault, manually turn the rollers to clear jammed card.
Wait Temp ***°C	Wait for the printer to warm up to its operating temperature.
RFID_AUTH_E RROR	Check if genuine ribbon is used. Next, check if the ribbon has an RFID ring. <b>(insert picture?)</b> Press SET as the LCD shown to initialize the printer.
Call Support	Contact your reseller's service support team to report Error Code(s) displayed on the lower right.



Contact your reseller's service support team if you find errors not listed above. Please inform Error Code displayed on the lower right of the LCD.

## 5.2 Valuable Help from You For Troubleshooting

Help us identify the following for us to resolve your problem(s):

- The version number of the software installed.
- The version number of driver installed in your Microsoft Windows PC.

## 5.3 Troubleshooting

Do not attempt to use any tool to fix any problem. This may cause serious damage to the printer.

### 5.3.1 Faults Related to Printing

No print out?

① Check the printer driver

Check compatible printer driver for Microsoft Windows

Check if this printer is the default driver in Microsoft Windows.

② Check if power is connected to the printer

Check if the printer is connected correctly to power.

Check if the LCD display shows: **READY**.

Confirm power accessories provided for this printer are correctly installed.

③ Check the USB cable

Check if the USB cable is connected to your printer and your host.

④ Check the ribbon and the retransfer film

Check if the ribbon and retransfer film are properly installed. Check if associated parts are locked in properly.

⑤ Check card jam

Check if any cards remains in transport area. Check if any card jam.

Blank card ejected?

① Check the ribbon and retransfer film

Check if ribbon/ retransfer film run out or are damaged. Replace them if necessary.

② Check if print head is damaged. Print test pattern.

If failed to print the test pattern, contact local reseller for support.

Faults	Probable Cause	Corrective Actions
Defective Spots	Dirty Card Surface	<ul style="list-style-type: none"> <li>• Check that card surfaces are clean and dust free.</li> <li>• Use new, clean cards.</li> </ul>
	Cleaning Roller	<ul style="list-style-type: none"> <li>• Clean the transport rollers</li> </ul>
White Line	Ribbon not properly installed	Check the proper installation of the ribbon and retransfer film. Check if ribbon/retransfer film are folded up.
	Dirty or defective print head	Please contact local reseller.
Vague or Light Image	Improper ribbon/retransfer film installation	Check the proper installation of the ribbon and retransfer film. Check if ribbon/retransfer film are folded up.
	Ribbon not synchronized	Open and close the front cover to synchronize the ribbon.
	Dirty printer or cleaning rollers	Clean printer
	Non-genuine cards	Check if your cards meet specifications. Recommend that you purchase cards from Dascom authorized reseller. If the problem persists, please contact your Dascom reseller.
Bent Cards	Substandard retransfer process.	Correct card curl from Section ?? above.
Print peels off	Substandard retransfer process.	Set proper parameters for retransfer process as outlined in Section ??.
White Cards	Improper ribbon installation	Check that print ribbon and retransfer film are installed properly.

Incomplete printout?

① Check manual settings

Check card software design layout matches card dimensions.

Check the landscape/portrait orientation in the driver.

② Check interface cable

If the text is printed in strange colors, use the USB cable supplied with the printer.

Check secure and proper connection between printer and your computer.

Try another cable.

Maximum cable length is 6' (correct?)

- ③ Check if the printer is clean  
See Section 2.3 to clean/replace cleaning rollers.
- ④ Check if cards are clean  
Take precautions to keep cards free from dust and contamination.
- ⑤ Check ribbon and retransfer film  
Check if ribbon and retransfer film are installed properly. Check that the ribbon and retransfer film are running smoothly.
- ⑥ Check print head  
If a straight white line(s) travels across the length of your card, the print head may be dirty or defective. If the problem persists after cleaning, please contact your Dascom reseller.

Card bent?

- ① See Chapter 3 to change from Normal Mode to User Mode.
- ② Press the ▼ key until LCD prompts [Card Setup]. Then press the **SET Key**.
- ③ Press the ▼ key until LCD prompts [Decurl Time(s)]. Then press the **SET Key**.
- ④ Select the 0 -5 seconds flattening time to correct bending card. 0 value represents no flattening.
- ⑤ Press **SET Key** to save bending correction setting.

The factory default value is "0".

You may use the driver to configure this parameter as well.

Improper secondary retransfer parameters can overheat and cause card bending as well. Trying different secondary retransfer conditions may reduce card bending as well.

### 5.3.2 Clear Jammed Card

Do not turn off the power. The print job will be lost.

Do not attempt to use any tool (screwdriver or sharp object) to remove a jammed card. Sharp objects may damage the rollers and heating rollers. Damages caused by such action may void the warranty.

To reduce the chance of card jamming:

- ① See Section 2.1.3 to set the proper card thickness dial
- ② Use cards with thickness specified in the specifications.
- ③ Check that cards are not bent.
- ④ Before putting the cards to the card cassette, shuffle the cards by holding the outside edges to prevent sticking cards.

To take out jammed card

When card jam occurs, the LCD display prompts "Printer Card Jam" and the print job stops.

Do not turn off the power as the uncompleted print job will be lost.

- ① Open the top cover and front cover.
- ② Take out the card cassette.
- ③ If the last card is completely fed into the printer, pull it out slowly by hand.

- ④ Replace jammed card back to the card cassette.
- ⑤ Close the card feed cover and the printer covers.
- ⑥ Press the **SET Key**. The error message disappears from the LCD display and the printer restarts.

To take out jammed card in the thermal retransfer unit

When card jam occurs, the LCD display prompts "Feeder Card Jam" and the print job stops. Do not turn off the printer as the uncompleted print job will be lost.

- ① Open the top cover.
- ② Take out the card cassette.
- ③ Rotate the feeding knob in counter-clockwise direction. Take out the jammed card from the cleaning section.
- ④ Replace jammed card back to the card cassette.
- ⑤ Close the card feed cover and the printer covers.
- ⑥ Press the **SET Key**. The error message disappears from the LCD display and the printer restarts.

To take out card jammed in the reverse section

- ① Open the top cover and front cover.
- ② Take out the card cassette.
- ③ Release the lock and lift it up as shown in the diagram.
- ④ Take out the cleaning roller and cleaning cartridge.
- ⑤ Rotate the reverse knob. Turn the feeding knob back and forth. The jammed card may come out from the left or right card slot.
- ⑥ Replace jammed card back to the card cassette.
- ⑦ Make sure the retransfer film is not shifted by this process. Put flattening part, cleaning roller/cartridge, and card cassette back in place. Close the printer cover.
- ⑧ Press the **SET Key**. The error message disappears from the LCD display and the printer restarts.

Beware the thermal unit may be hot. Turn off power and let it cool down for a few minutes. If card jam persists, please contact your Dascom reseller.

### 5.3.3 Change the Print Head

The print head is a heating element and directly affects print quality. A dirty or dusty environment seriously affects its life and can cause damage to the print head. Consult your Dascom reseller if print head replacement is necessary.

To meet DASCOS's warranty policy for print head replacement, you must:

- Use Dascom approved consumables, including cards, ribbons and service parts.
- Maintain regular cleaning and maintenance of the printer.
- Install the printer in a dust free environment as detailed in the specifications
- Use good well-conditioned cards: clean, without deterioration causing head damage.

## Appendix I: FCC STATEMENT

1. This device complies with Part 15 of the FCC Rules. Operation is subject to the following two conditions:

- i. This device may not cause harmful interference.
- ii. This device must accept any interference received, including interference that may cause undesired operation.

2. Changes or modifications not expressly approved by the party responsible for compliance could void the user's authority to operate the equipment.



---

This equipment has been tested and found to comply with the limits for a Class B digital device, pursuant to Part 15 of the FCC Rules. These limits are designed to provide reasonable protection against harmful interference in a residential installation.

---

This equipment generates uses and can radiate radio frequency energy and, if not installed and used in accordance with Dascom instructions, may cause harmful interference to radio communications. However, there is no guarantee that interference will not occur in a particular installation. If this equipment does cause harmful interference to radio or television reception, which can be determined by turning the equipment off and on, the user is encouraged to try to correct the interference by one or more of the following measures:

- Re-orientate or relocate the receiving antenna.
- Increase the separation between the equipment (printer) and receiver.
- Connect the equipment into an electrical outlet on a circuit different from that to which the receiver is connected.
- Consult your dealer or an experienced radio/TV technician for help.

## Appendix II: DASCUM REPRESENTATIVES

### GERMANY

DASCUM Europe GmbH  
Heuweg 3  
D-89079 Ulm  
Deutschland  
Tel.: +49 (0) 731 2075 0  
Fax: +49 (0) 731 2075 100  
www.dascom.com

### SINGAPORE (ASIA PACIFIC)

DASCUM AP Pte Ltd  
21 Bukit Batok Crescent  
#29-81, WCEGA Tower  
Singapore 658065  
Phone: +65 6760 8833  
Fax: +65 6760 1066  
www.dascom.com

### AMERICAS

DASCUM Americas Corporation  
34 Lakeview Court  
Verona, VA 24482  
USA  
Phone: +1 (877) 434 13 77  
Fax: +1 (540) 242 7221  
www.dascomamericas.com

### UNITED KINGDOM

DASCUM GB Ltd  
Hart House, Priestley Road  
Basingstoke, Hampshire  
RG24 9PU, England  
Phone: +44 (0) 1256 481481  
Fax: +44 (0) 1256 481400  
www.dascom.com

### FRANCE

DASCUM Europe GmbH  
117 Avenue Victor Hugo  
92100 Boulogne-Billancourt  
France  
Phone: +33 (1) 73 02 51 98  
www.dascom.com

### CHINA

JIANGMEN DASCUM COMPUTER  
PERIPHERALS CO., LTD  
No. 399, Jinxing Road, Jianghai District,  
Jiangmen, Guangdong P.R. China  
www.dascom.com.cn

All rights reserved. Translations, reprinting or copying by any means of this manual complete or in part or in any different form requires our explicit approval. We reserve the right to make changes to this manual without notice. All care has been taken to ensure accuracy of information contained in this manual. However, we cannot accept responsibility for any errors or damages resulting from errors or inaccuracies of information herein.